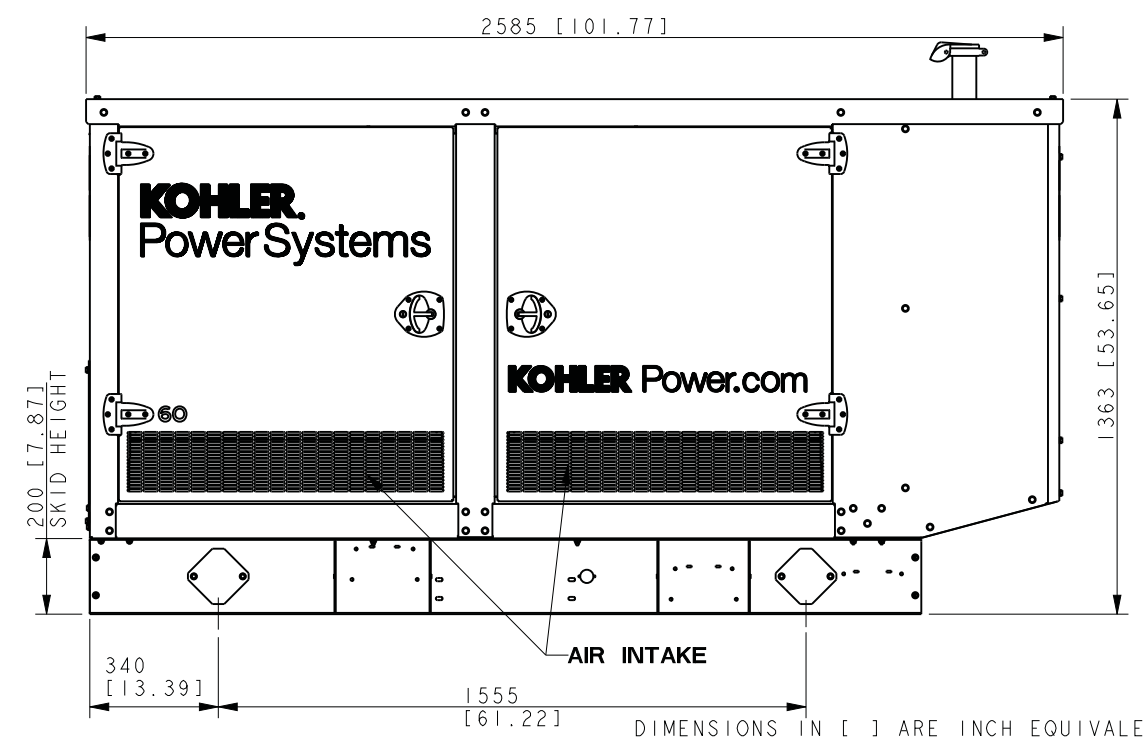
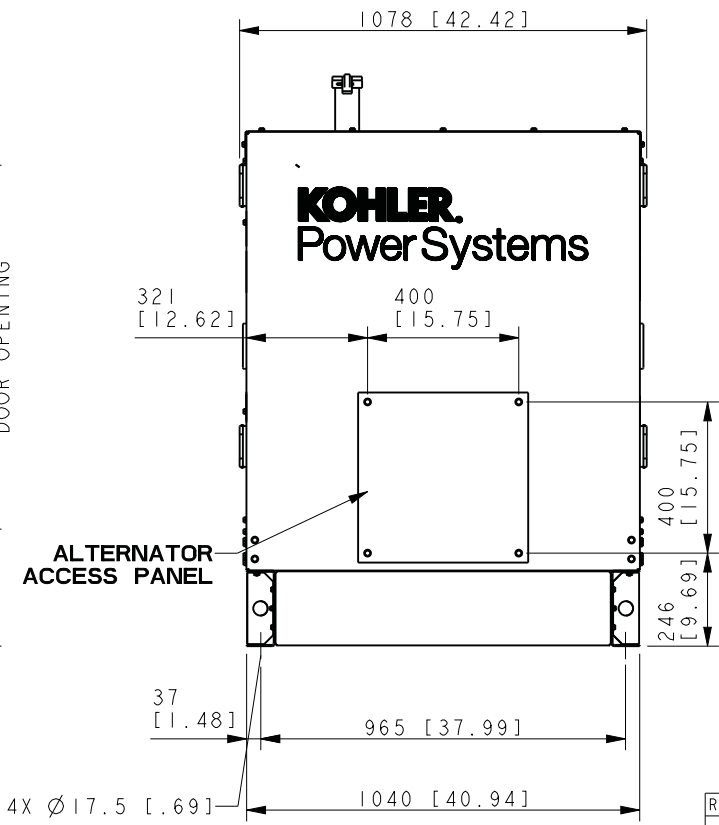
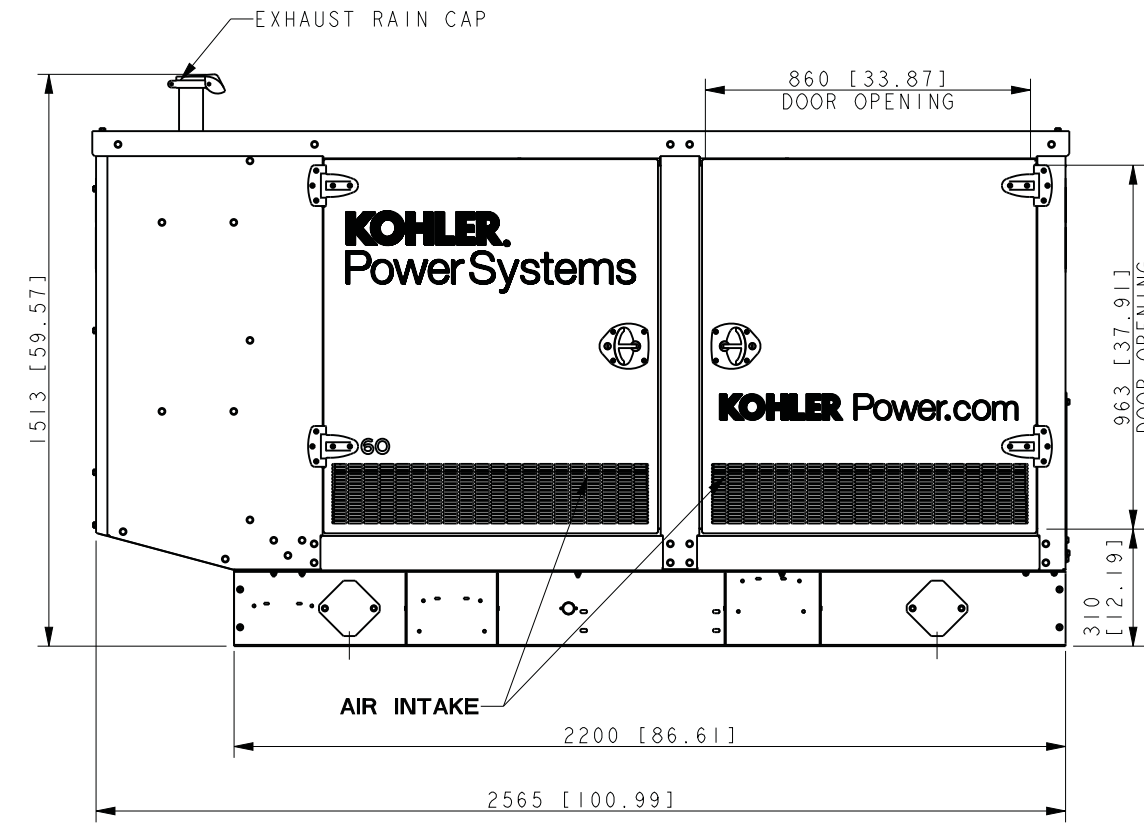


MODEL	GENSET WEIGHT (WET) WITH ENCLOSURE		ENCLOSURE ONLY	MODEL	GENSET WEIGHT (WET) WITH ENCLOSURE		ENCLOSURE ONLY
	STEEL WEATHER	ALUMINUM SOUND			STEEL WEATHER	ALUMINUM SOUND	
25kW 4P4/4Q4	STEEL WEATHER	855 Kg [1885 LBS]	239 Kg [527 LBS]	50KW 4P8 60KW 4Q8	STEEL WEATHER	1099 Kg [2423 LBS]	239 Kg [527 LBS]
	STEEL SOUND	860 Kg [1896 LBS]	244 Kg [538 LBS]		STEEL SOUND	1104 Kg [2434 LBS]	244 Kg [538 LBS]
	ALUMINUM SOUND	768 Kg [1693 LBS]	152 Kg [335 LBS]		ALUMINUM SOUND	1012 Kg [2231 LBS]	152 Kg [335 LBS]
30kW 4P5/4Q5	STEEL WEATHER	878 Kg [1936 LBS]	239 Kg [527 LBS]	60KW 4S7/4V7	STEEL WEATHER	1200 Kg [2646 LBS]	239 Kg [527 LBS]
	STEEL SOUND	883 Kg [1947 LBS]	244 Kg [538 LBS]		STEEL SOUND	1205 Kg [2657 LBS]	244 Kg [538 LBS]
	ALUMINUM SOUND	791 Kg [1744 LBS]	152 Kg [335 LBS]		ALUMINUM SOUND	1113 Kg [2454 LBS]	152 Kg [335 LBS]
30kW 4P7/4Q7	STEEL WEATHER	919 Kg [2026 LBS]	239 Kg [527 LBS]	60KW 4P10/4Q10	STEEL WEATHER	1142 Kg [2518 LBS]	239 Kg [527 LBS]
	STEEL SOUND	924 Kg [2037 LBS]	244 Kg [538 LBS]		STEEL SOUND	1147 Kg [2529 LBS]	244 Kg [538 LBS]
	ALUMINUM SOUND	832 Kg [1834 LBS]	152 Kg [335 LBS]		ALUMINUM SOUND	1055 Kg [2326 LBS]	152 Kg [335 LBS]
40kW 4P5/4Q5	STEEL WEATHER	936 Kg [2064 LBS]	239 Kg [527 LBS]	60KW 4S9/4V9	STEEL WEATHER	1253 Kg [2762 LBS]	239 Kg [527 LBS]
	STEEL SOUND	941 Kg [2075 LBS]	244 Kg [538 LBS]		STEEL SOUND	1258 Kg [2773 LBS]	244 Kg [538 LBS]
	ALUMINUM SOUND	849 Kg [1872 LBS]	152 Kg [335 LBS]		ALUMINUM SOUND	1166 Kg [2571 LBS]	152 Kg [335 LBS]
40kW 4Q7 45kW 4P7	STEEL WEATHER	977 Kg [2154 LBS]	239 Kg [527 LBS]	50KW 4P5X	STEEL WEATHER	1020 Kg [2249 LBS]	239 Kg [527 LBS]
	STEEL SOUND	982 Kg [2165 LBS]	244 Kg [538 LBS]		STEEL SOUND	1025 Kg [2260 LBS]	244 Kg [538 LBS]
	ALUMINUM SOUND	890 Kg [1962 LBS]	152 Kg [335 LBS]		ALUMINUM SOUND	933 Kg [2057 LBS]	152 Kg [335 LBS]
45kW 4P8/4Q8	STEEL WEATHER	997 Kg [2198 LBS]	239 Kg [527 LBS]	50KW 4P7BX/4Q7BX	STEEL WEATHER	1059 Kg [2335 LBS]	239 Kg [527 LBS]
	STEEL SOUND	1002 Kg [2209 LBS]	244 Kg [538 LBS]		STEEL SOUND	1064 Kg [2346 LBS]	244 Kg [538 LBS]
	ALUMINUM SOUND	910 Kg [2006 LBS]	152 Kg [335 LBS]		ALUMINUM SOUND	972 Kg [2143 LBS]	152 Kg [335 LBS]
45kW 4P10/4Q10	STEEL WEATHER	1040 Kg [2293 LBS]	239 Kg [527 LBS]	60KW 4P10X/4Q10X	STEEL WEATHER	1122 Kg [2475 LBS]	239 Kg [527 LBS]
	STEEL SOUND	1045 Kg [2304 LBS]	244 Kg [538 LBS]		STEEL SOUND	1127 Kg [2486 LBS]	244 Kg [538 LBS]
	ALUMINUM SOUND	953 Kg [2101 LBS]	152 Kg [335 LBS]		ALUMINUM SOUND	1032 Kg [2283 LBS]	152 Kg [335 LBS]
50 4P7/4Q7	STEEL WEATHER	1079 Kg [2379 LBS]	239 Kg [527 LBS]	50KW 4P8X 50KW 4Q8X	STEEL WEATHER	1070 Kg [2358 LBS]	239 Kg [527 LBS]
	STEEL SOUND	1084 Kg [2390 LBS]	244 Kg [538 LBS]		STEEL SOUND	1075 Kg [2369 LBS]	244 Kg [538 LBS]
	ALUMINUM SOUND	992 Kg [2187 LBS]	152 Kg [335 LBS]		ALUMINUM SOUND	982 Kg [2166 LBS]	152 Kg [335 LBS]
50 4P10/4Q10	STEEL WEATHER	1142 Kg [2518 LBS]	239 Kg [527 LBS]	60KW 4P7BX	STEEL WEATHER	1059 Kg [2335 LBS]	239 Kg [527 LBS]
	STEEL SOUND	1147 Kg [2529 LBS]	244 Kg [538 LBS]		STEEL SOUND	1064 Kg [2346 LBS]	244 Kg [538 LBS]
	ALUMINUM SOUND	1055 Kg [2326 LBS]	152 Kg [335 LBS]		ALUMINUM SOUND	972 Kg [2143 LBS]	152 Kg [335 LBS]
				60KW 4P8X	STEEL WEATHER	1070 Kg [2358 LBS]	239 Kg [527 LBS]
					STEEL SOUND	1075 Kg [2369 LBS]	244 Kg [538 LBS]
					ALUMINUM SOUND	982 Kg [2166 LBS]	152 Kg [335 LBS]



NOTE:  
IF IBC CERTIFICATION IS REQUIRED, SEE SEISMIC  
ADV FOR INSTALLATION INSTRUCTIONS

25-60 KW GM  
2009 EMISSIONS MODELS  
3PH RECONNECTABLE, 1PH  
AND 600V ALTERNATORS

REV	DATE	ON COMPOSITE DWGS. SEE PART NO. FOR REVISION LEVEL	BY
G	2-15-13	VIEWS UPDATED TO NEW DECALS [CT32175]	SAM
H	4-24-13	DRAWING VOIDED [CT29991]	SAM
J	5-7-13	DRAWING REINSTATED (C-3) 4P8X/4Q8X ADDED [C44496]T	SAM
K	04-03-14	(C-3) 60KW 4Q7BX & 60KW 4Q8X REMOVED; MODEL: 60KW 4P7BX & 60KW 4P8X ADDED; (B-3 & B-7) CLEAN POWER DECALS REMOVED [CT76763]	SSH
L	6-8-15	(C-3) 50KW 4Q8X ADDED [CT114844]	KBS

UNLESS OTHERWISE SPECIFIED -  
1) DIMENSIONS ARE IN MILLIMETERS  
2) TOLERANCES ARE:  
X.XX ± 0.25  
X.X ± 1.0  
X ANGLES ± 0° 30' MAX.

THIRD ANGLE PROJECTION

APPROVALS: PLD 12-9-08  
DATE: 12-9-08  
CHECKED: PLD 12-9-08  
APPROVED: RJD 12-9-08

**KOHLER CO. METRIC PRO-E**  
POWER SYSTEMS, KOHLER, WI 53044 U.S.A.  
THIS DRAWING IN DESIGN AND DETAIL IS KOHLER CO. PROPERTY AND MUST NOT BE USED EXCEPT IN CONNECTION WITH KOHLER CO. WORK. ALL RIGHTS OF DESIGN OR INVENTION ARE RESERVED.

TITLE: **DIMENSION PRINT, 25-60 KW GM ENCLOSURE**  
SCALE: 0.10 CAD NO. SHEET 1 of 1  
DWG NO. **ADV-7657**