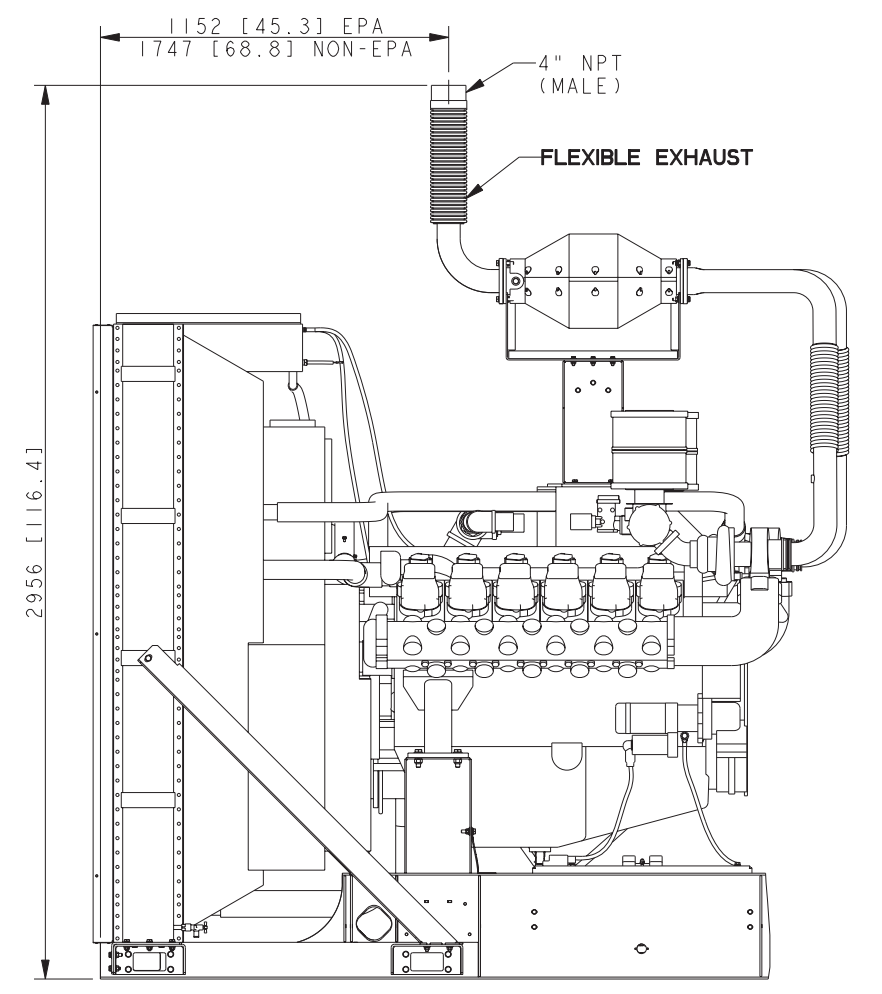
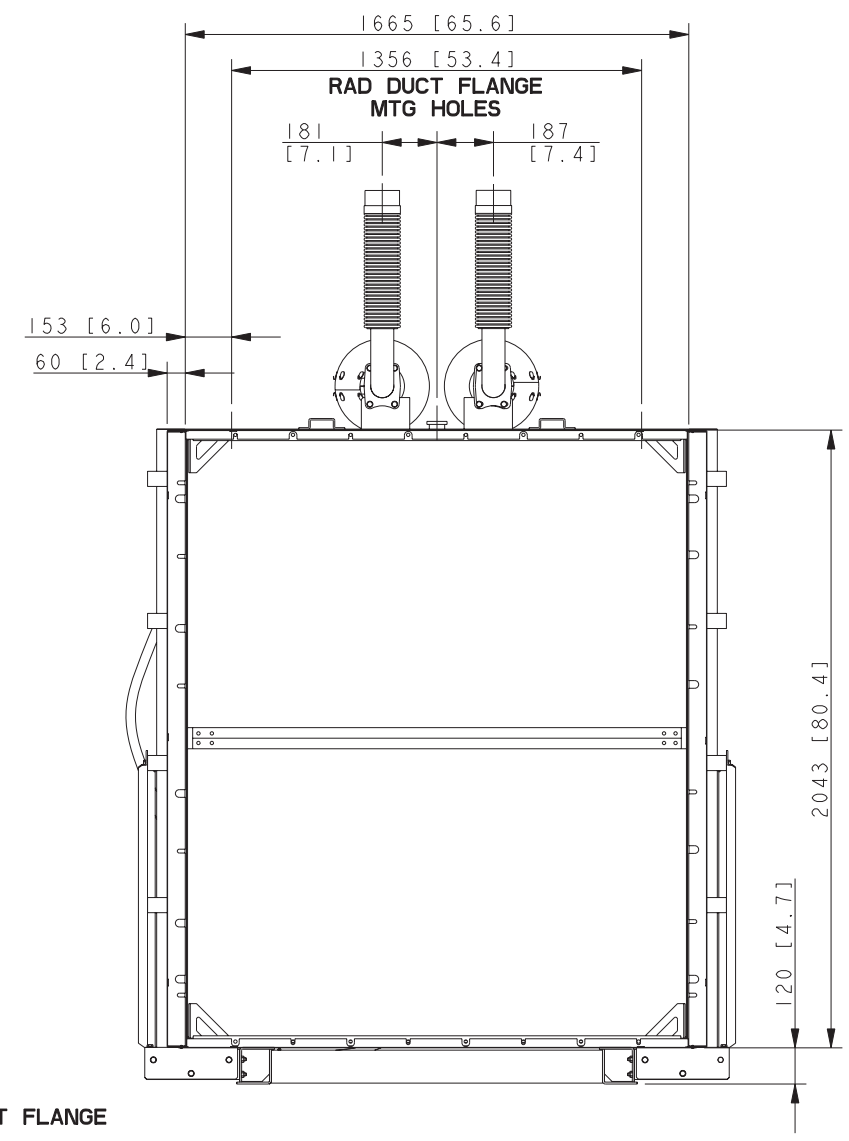
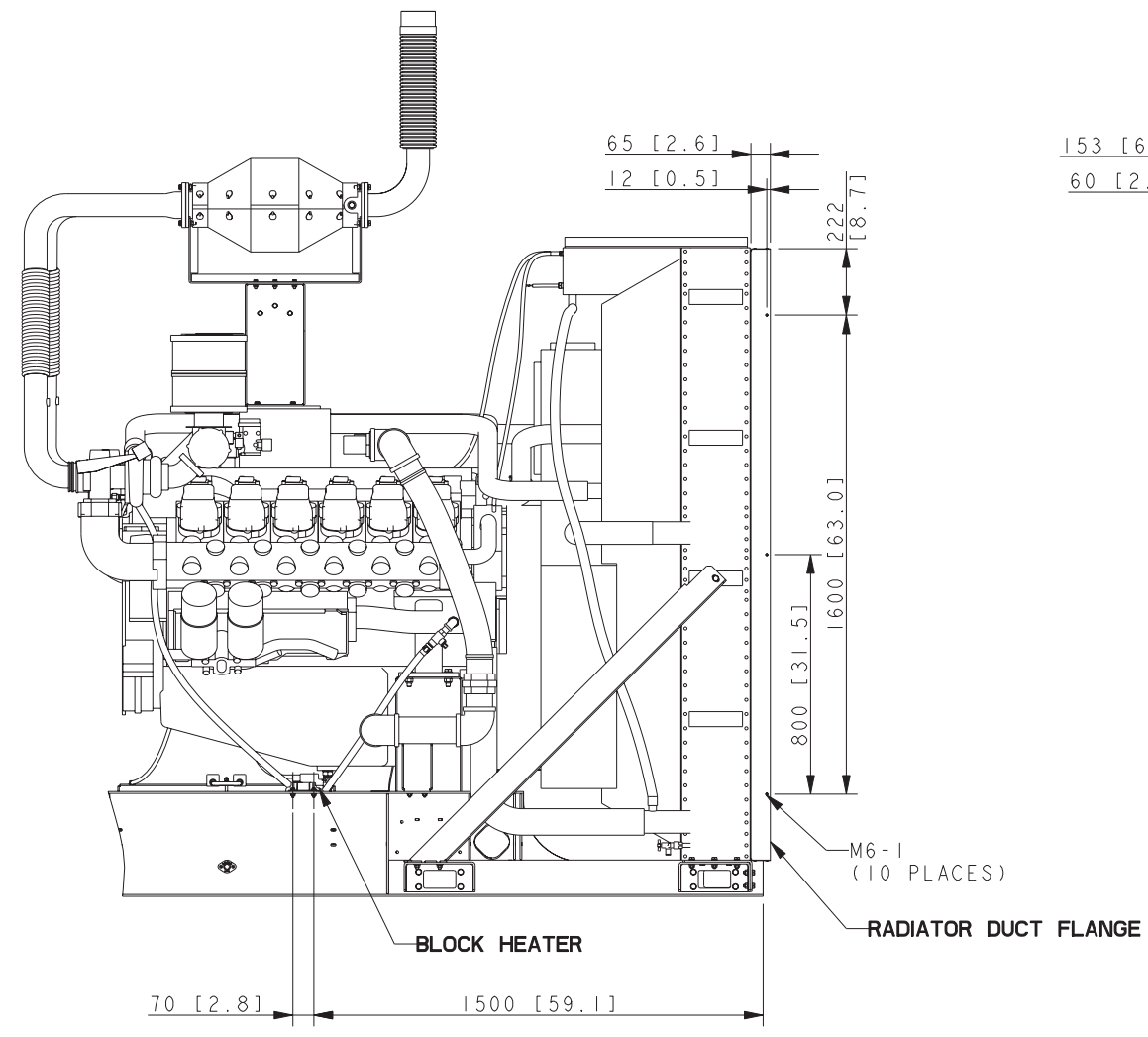


8 7 6 5 4 3 2 1

D
C
B
A



NOTES:
DIMENSIONS IN [] ARE INCH EQUIVALENTS.

400 MODEL
RECONNECTABLE
380V, 600V ALT
22 LITER DOOSAN, EPA & NON-EPA

REV	DATE	ON COMPOSITE DWGS. SEE PART NO. FOR REVISION LEVEL	BY	UNLESS OTHERWISE SPECIFIED - 1) DIMENSIONS ARE IN MILLIMETERS 2) TOLERANCES ARE:	COHLEK CO. METRIC PRO-E
-	4-21-09	NEW DRAWING [88272-6]	DJG		POWER SYSTEMS, KOHLER, WI 53044 U.S.A. THIS DRAWING IN DESIGN AND DETAIL IS KOHLER CO. PROPERTY AND MUST NOT BE USED EXCEPT IN CONNECTION WITH KOHLER CO. WORK. ALL RIGHTS OF DESIGN OR INVENTION ARE RESERVED.
					TITLE: DIMENSION PRINT 400 MODEL
					SCALE 0.08 CAD NO. SHEET 1 of 1
					DWG NO. ADV-7701 D

8 7 6 5 4 3 2 1