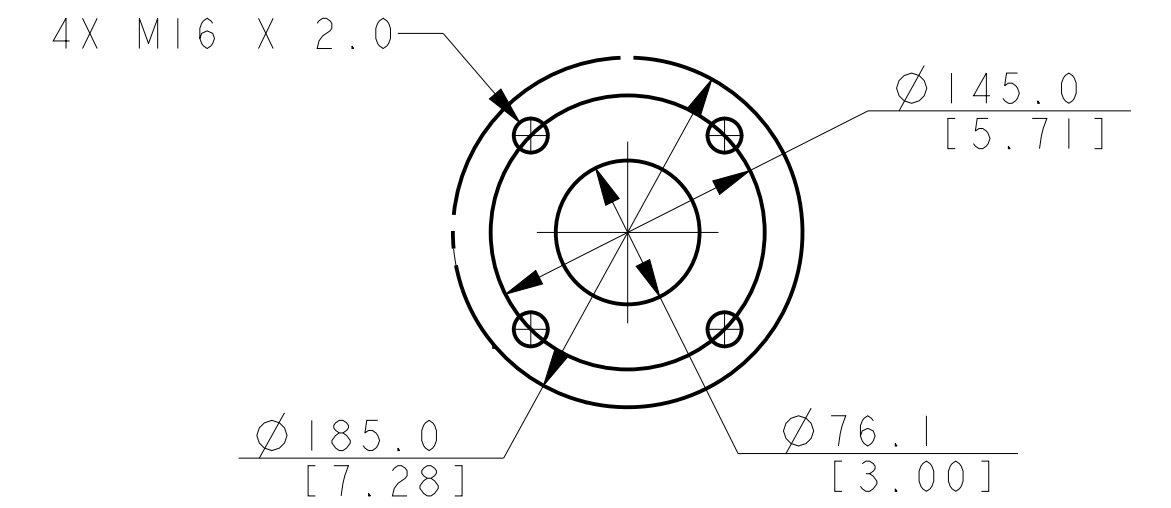
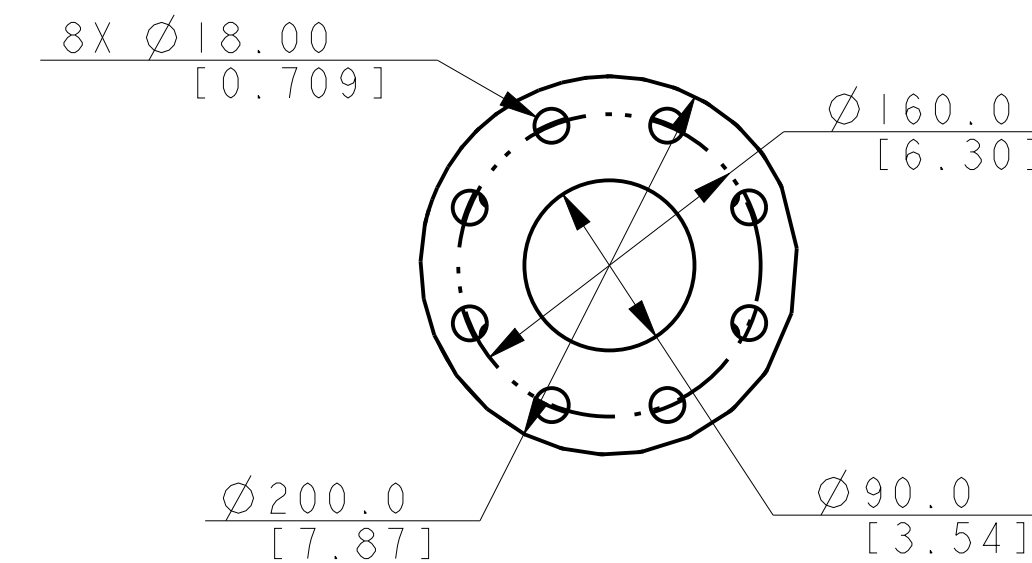


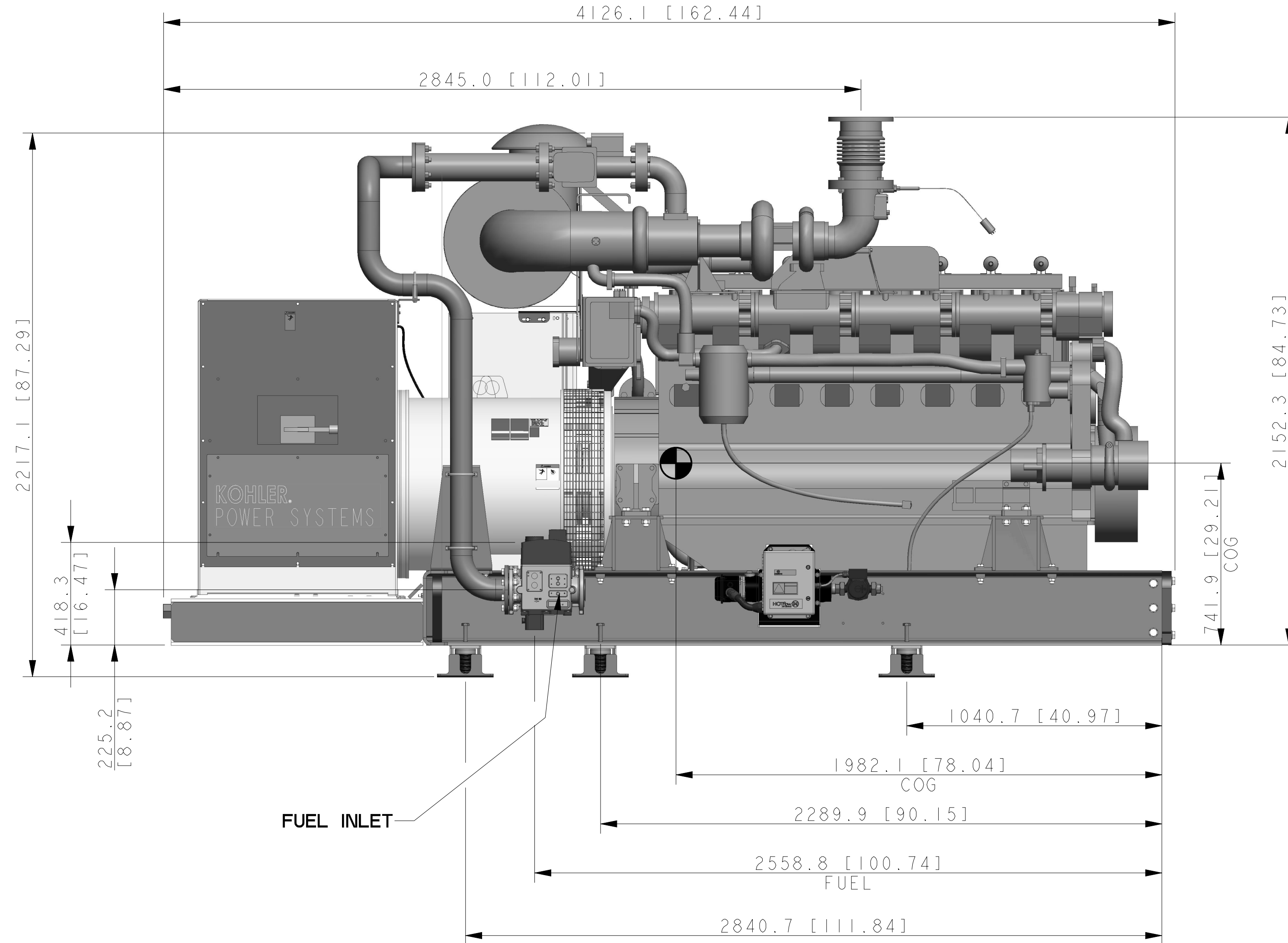
DETAIL A
EXHAUST



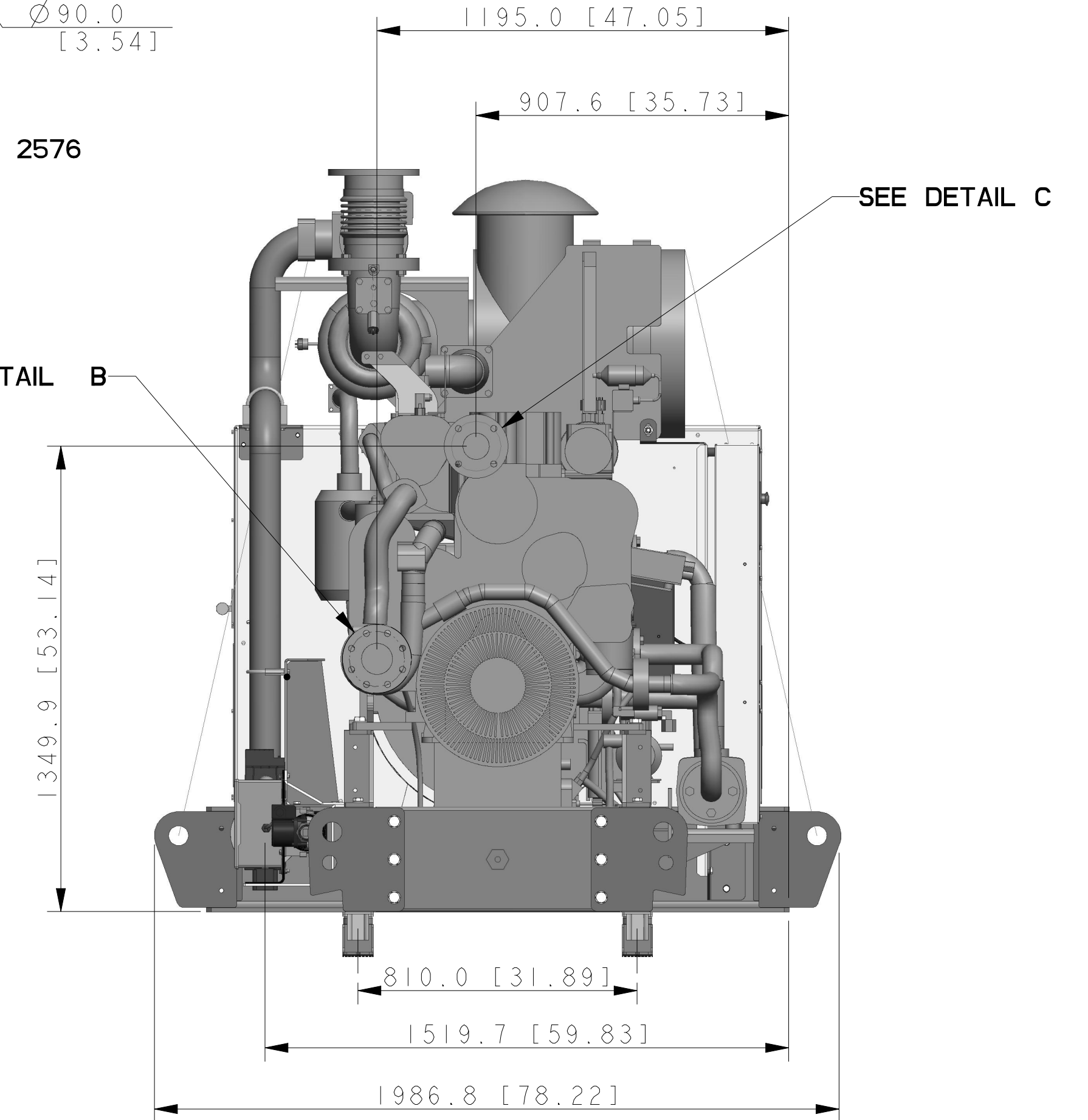
DETAIL C
WATER OUTLET
USE WITH DN 65 / DIN 2576



DETAIL B
WATER INLET
USE WITH DN 80 / DIN 2576

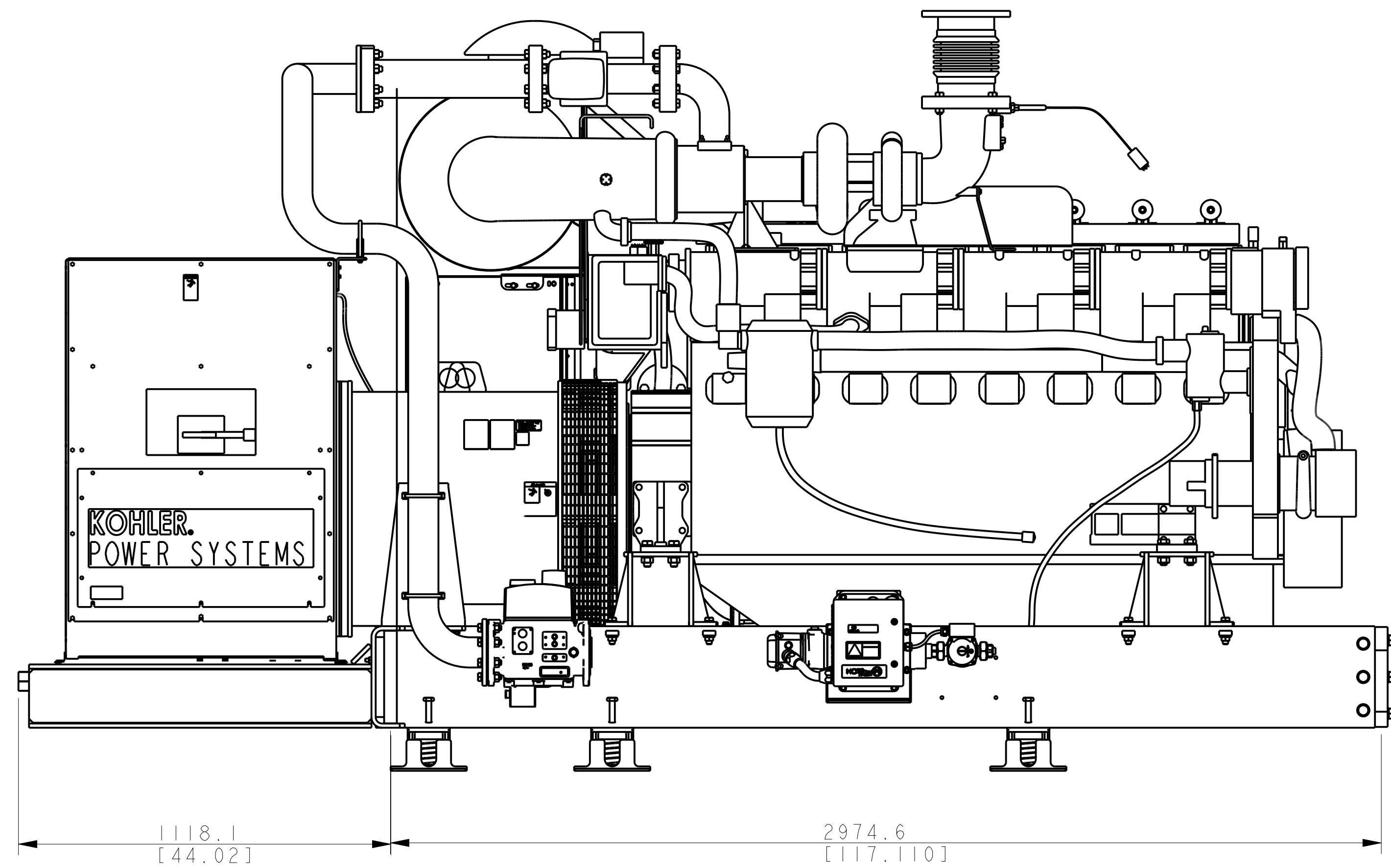
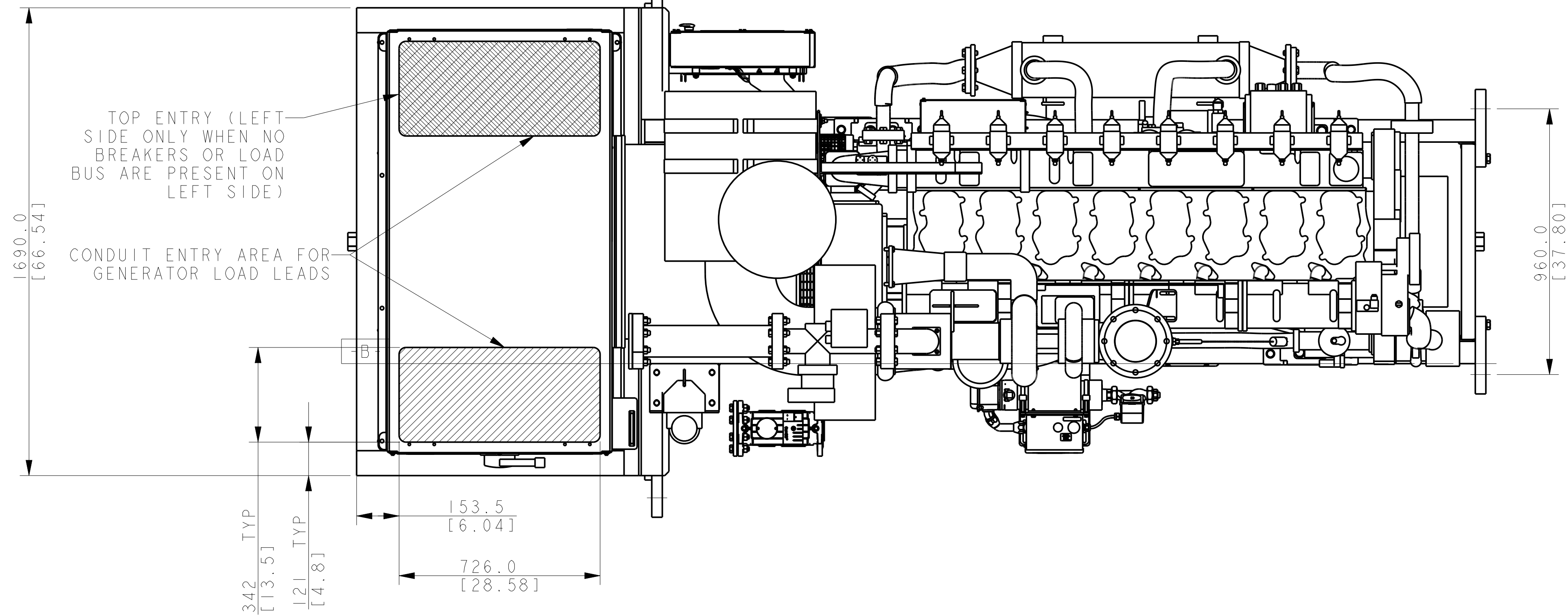


SEE DETAIL B



SEE DETAIL C

REV	DATE	ON COMPOSITE DWGS. SEE PART NO. FOR REVISION LEVEL	BY	UNLESS OTHERWISE SPECIFIED - 1) DIMENSIONS ARE IN MILLIMETERS 2) TOLERANCES ARE:	BY	KOHLER CO. METRIC PRO-E
-	10-17-15	NEW DRAWING []	SAK	X.XX ± 0.25 X.X ± 1.0 X ± 1.5 ANGLES ± 0° 30'	SAK	POWER SYSTEMS, KOHLER, WI 53044 U.S.A. THIS DRAWING IN DESIGN AND DETAIL IS KOHLER CO. PROPERTY AND MUST NOT BE USED EXCEPT IN CONNECTION WITH KOHLER CO. WORK. ALL RIGHTS OF DESIGN OR INVENTION ARE RESERVED.
				SURFACE FINISH MAX.		TITLE DIMENSION PRINT, 500REZK
				THIRD ANGLE PROJECTION		SCALE 0.40 CAD NO. SHEET 1 of 3
				APPROVALS DATE		DWG NO. ADV-8827
				DRAWN SAK 10-17-15		D
				CHECKED VPP 10-17-15		
				APPROVED RAM 10-17-15		



KOHLER
POWER SYSTEMS

LIFTING PROVISIONS

REV	DATE	ON COMPOSITE DWGS. SEE PART NO. FOR REVISION LEVEL	BY
-	10-20-15	NEW DRAWING []	SAK

UNLESS OTHERWISE SPECIFIED -
 1) DIMENSIONS ARE IN MILLIMETERS
 2) TOLERANCES ARE:
 X.XX ± 0.25
 X.X ± 1.0
 X ± 1.5
 ANGLES ± 0° 30' MAX.

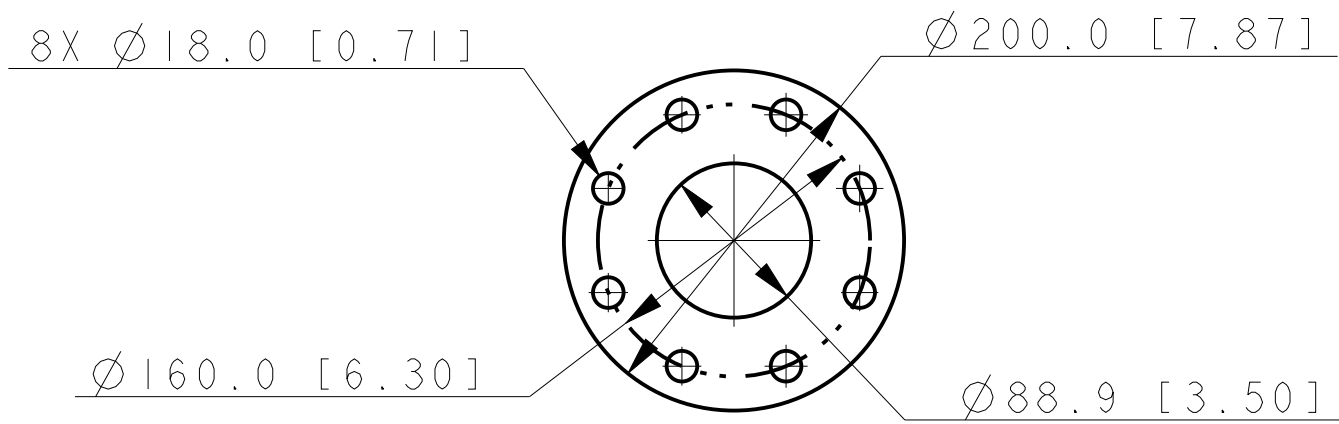
THIRD ANGLE PROJECTION

APPROVALS	DATE
DRAWN SAK	10-20-15
CHECKED VPP	10-20-15
APPROVED RAM	10-20-15

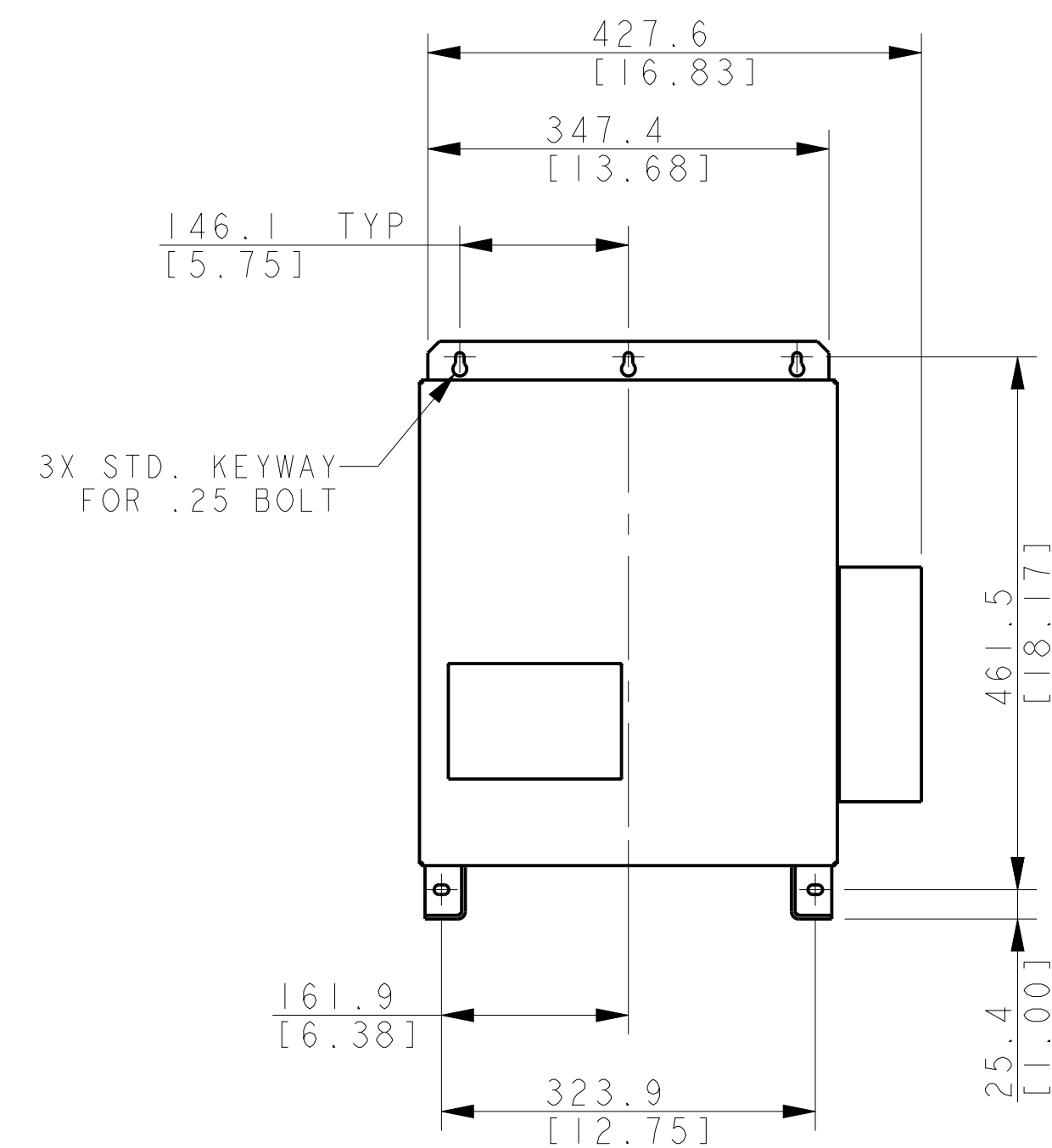
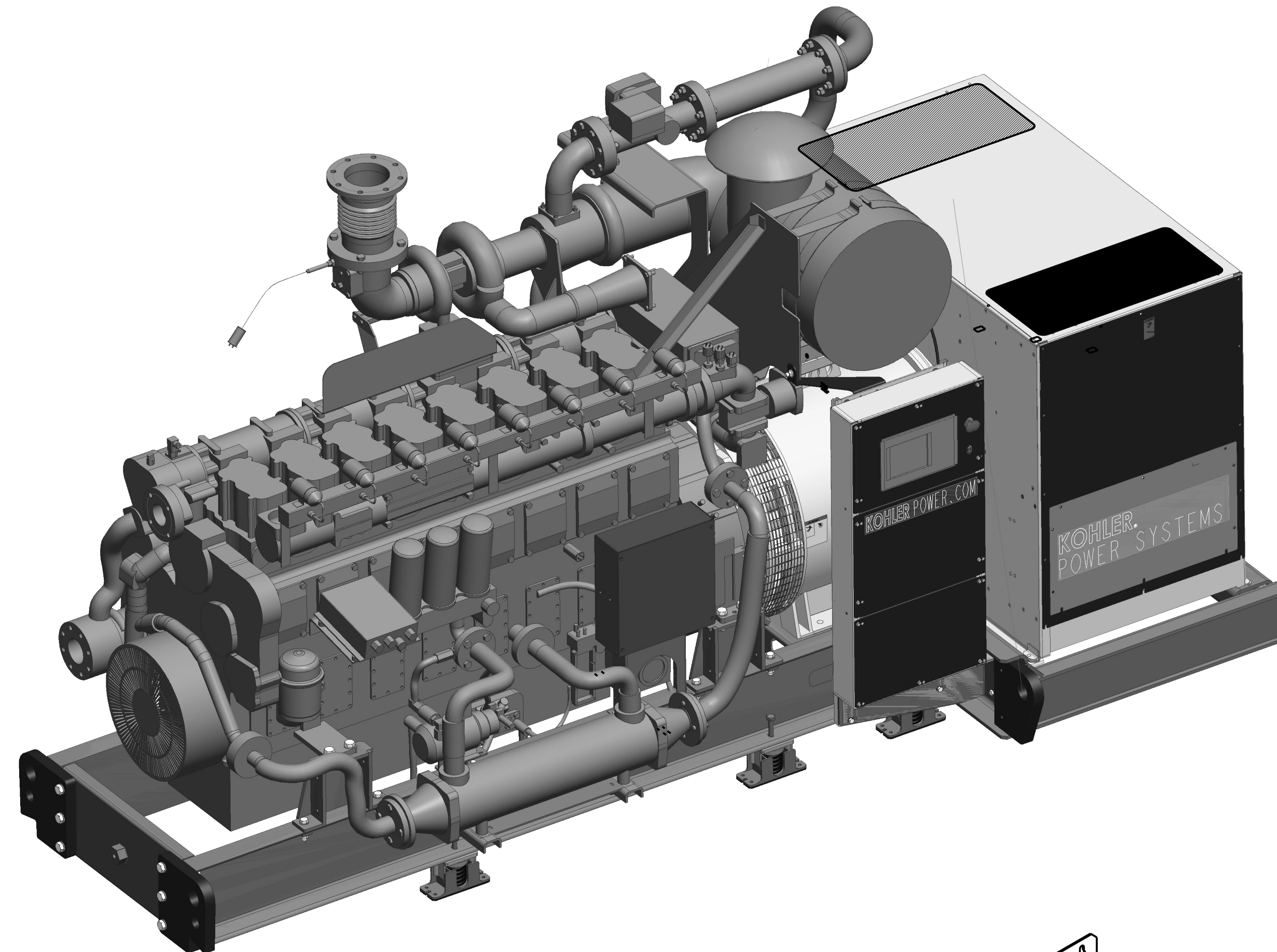
KOHLER CO. METRIC PRO-E
 POWER SYSTEMS, KOHLER, WI 53044 U.S.A.
 THIS DRAWING IN DESIGN AND DETAIL IS KOHLER CO. PROPERTY AND MUST NOT BE USED EXCEPT IN CONNECTION WITH KOHLER CO. WORK. ALL RIGHTS OF DESIGN OR INVENTION ARE RESERVED.

TITLE: **DIMENSION PRINT, 500REZK**

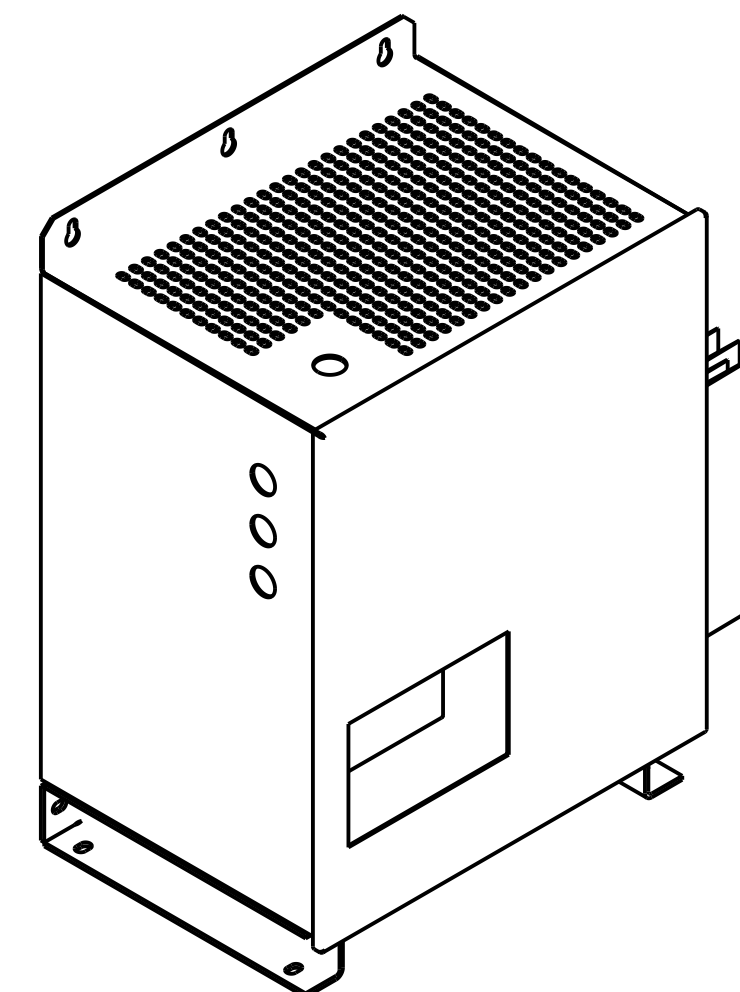
SCALE: 0.40 CAD NO. SHEET 2 of 3
 DWG NO. **ADV-8827** D



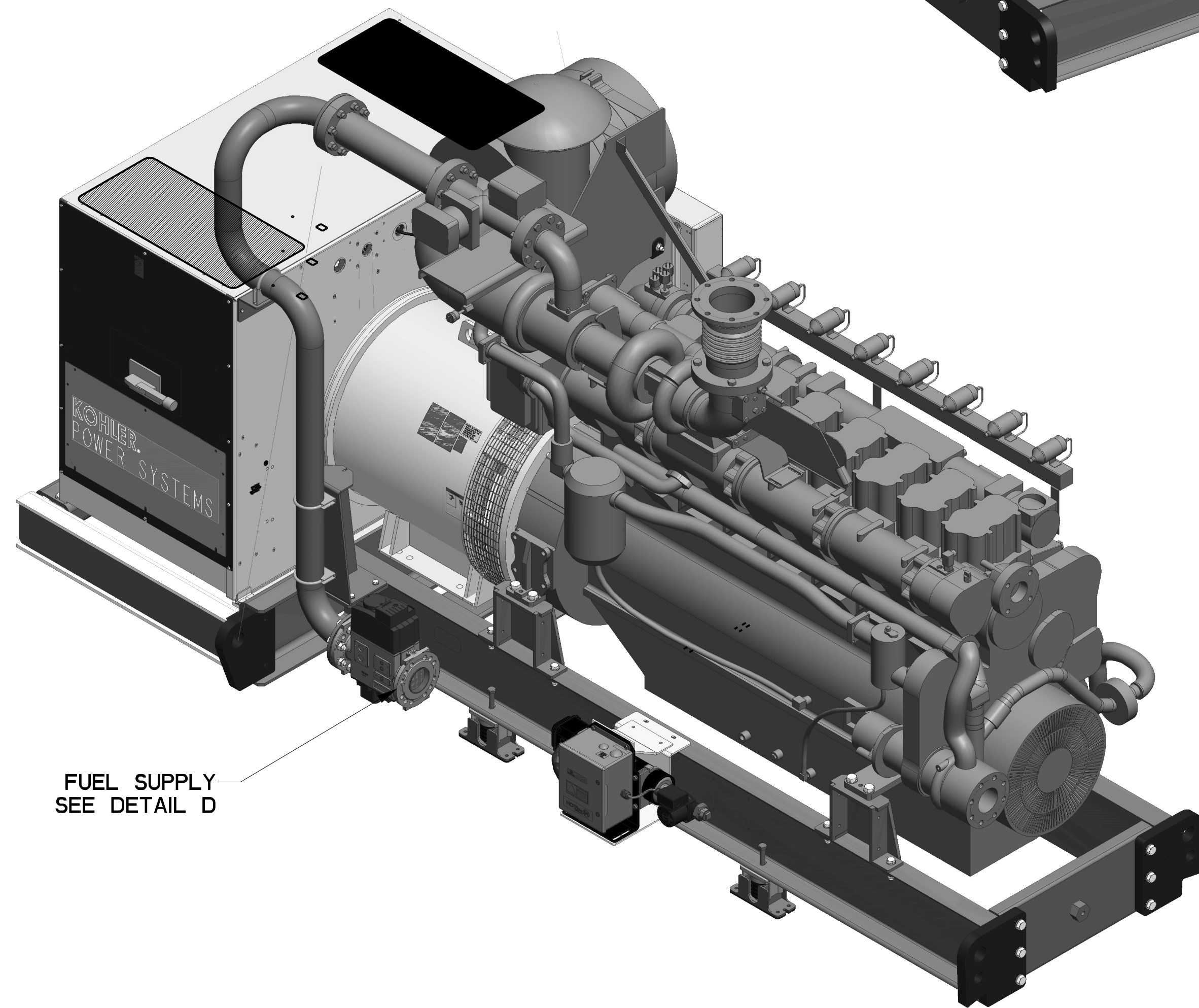
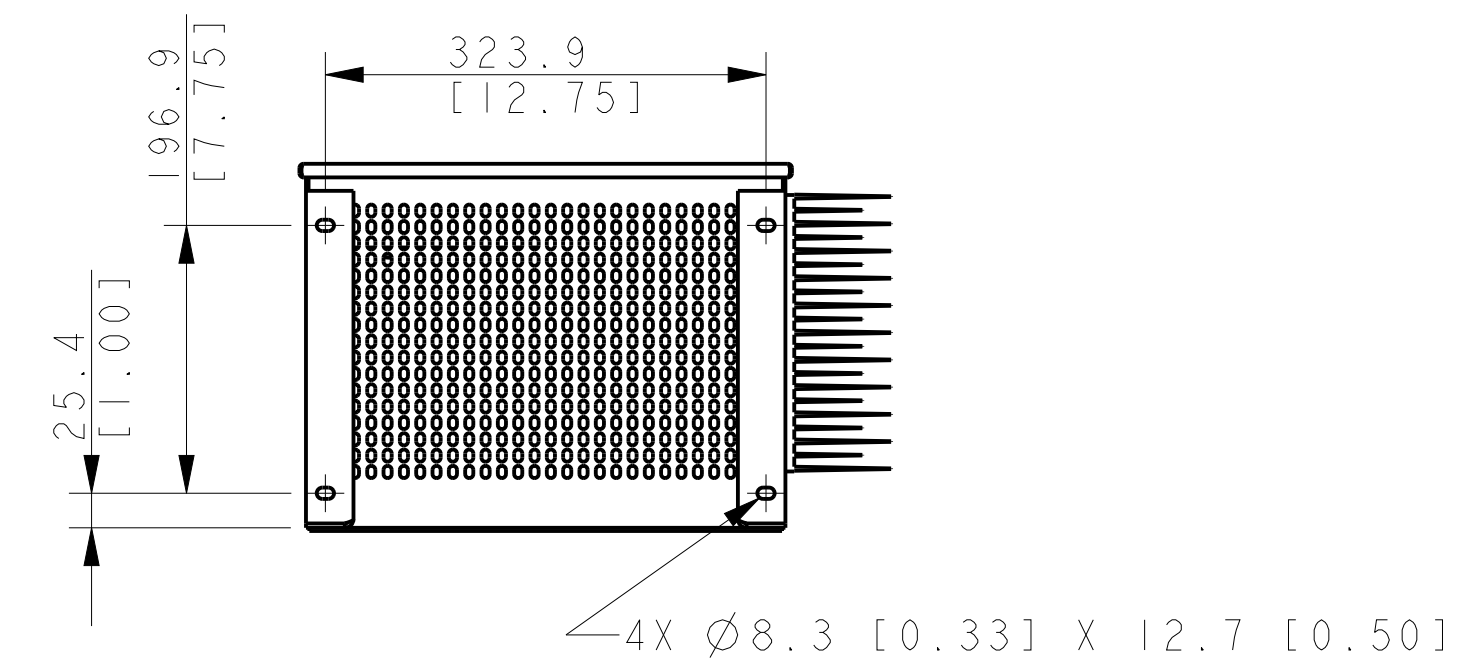
DETAIL D
FUEL INLET
USE WITH DN 80 / DIN 2576



3X STD. KEYWAY
FOR .25 BOLT



BATTERY CHARGER
MOUNTING DETAIL



FUEL SUPPLY
SEE DETAIL D

REV	DATE	ON COMPOSITE DWGS, SEE PART NO. FOR REVISION LEVEL	BY	UNLESS OTHERWISE SPECIFIED - 1) DIMENSIONS ARE IN MILLIMETERS 2) TOLERANCES ARE:	KOHLER CO. METRIC PRO-E POWER SYSTEMS, KOHLER, WI 53044 U.S.A. THIS DRAWING IN DESIGN AND DETAIL IS KOHLER CO. PROPERTY AND MUST NOT BE USED EXCEPT IN CONNECTION WITH KOHLER CO. WORK. ALL RIGHTS OF DESIGN OR INVENTION ARE RESERVED.
-	10-19-15	NEW DRAWING []	SAK	X.XX ± 0.25 X.X ± 1.0 X ± 1.5 ANGLES ± 0° 30'	
				THIRD ANGLE PROJECTION	TITLE
				APPROVALS	DIMENSION PRINT, 500REZK
				DATE	SCALE 0.40 CAD NO.
				DRAWN SAK 10-19-15	SHEET 3 of 3
				CHECKED VPP 10-19-15	DWG NO.
				APPROVED RAM 10-19-15	ADV-8827