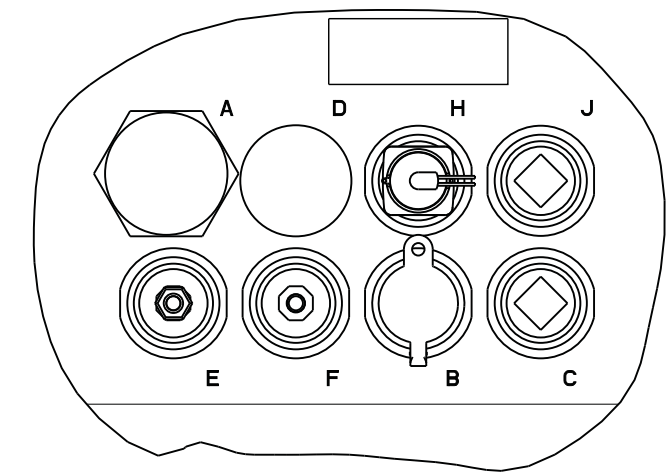
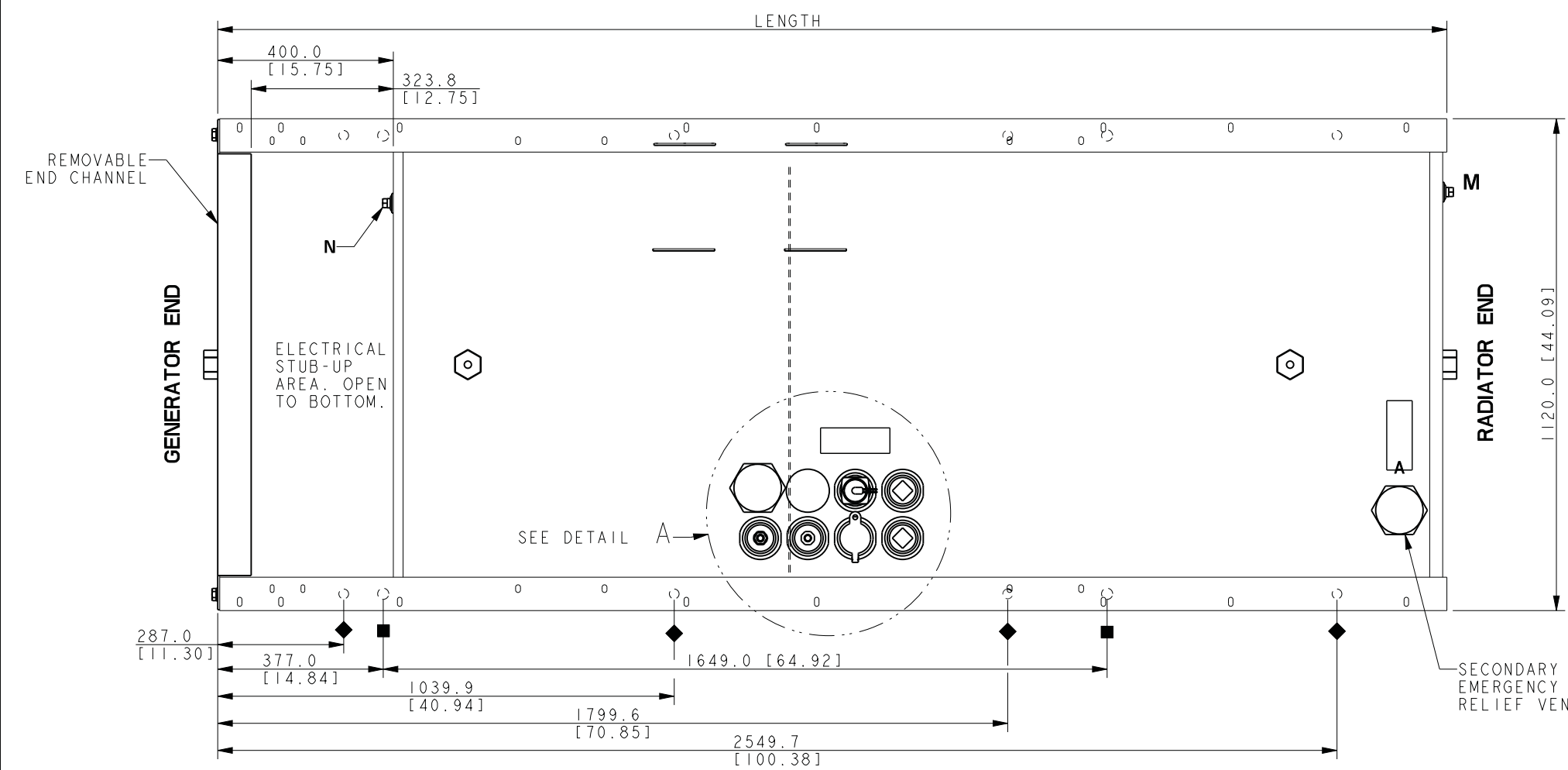


MODEL	CAPACITY		WEIGHT		HEIGHT		LENGTH		E-Vent	
	LITERS	GAL	KG	LBS	MM	IN	MM	IN	SIZE (IN)	QTY
80/100kW	757	200	450	993	457.2	18.0	2800.0	110.2	3.0	2.0
80kW	1314	347	707	1559	762.0	30.0	2800.0	110.2	3.0	2.0

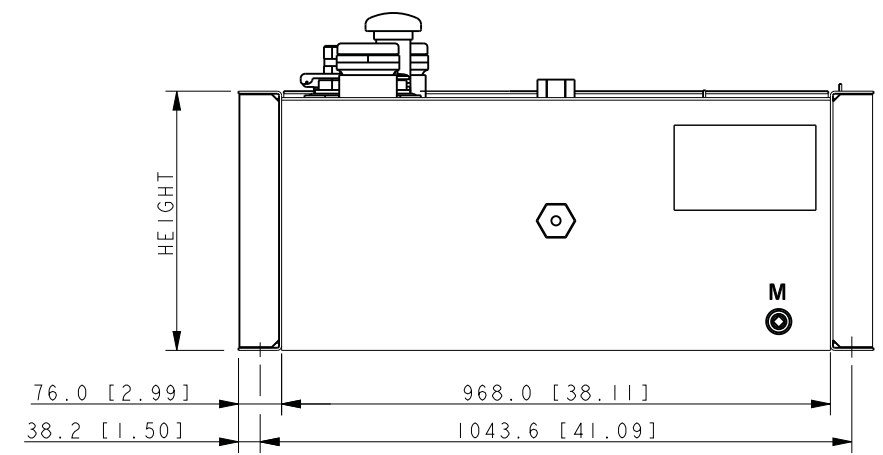
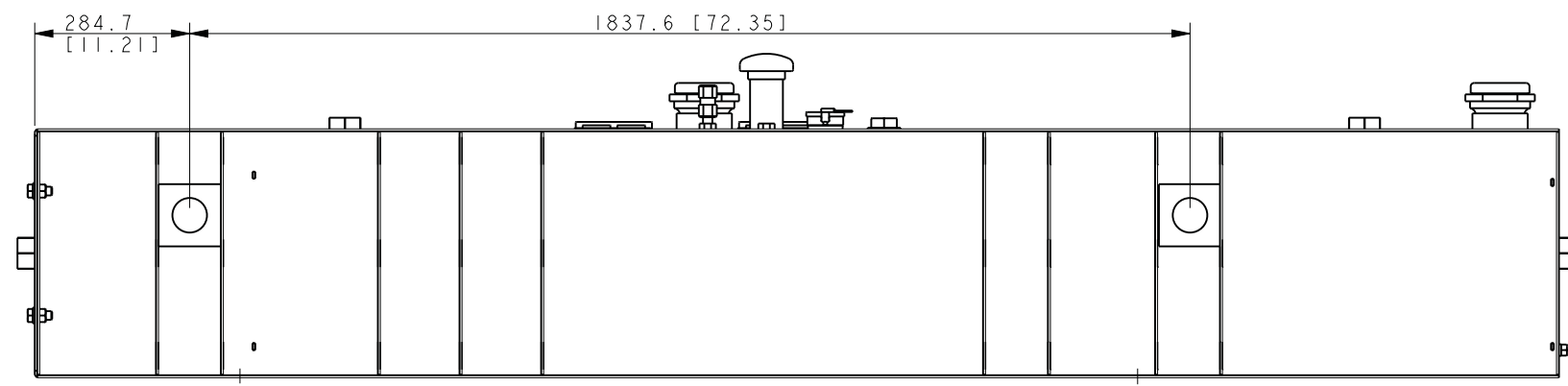
IBC
STANDARD
TANK

TANK FITTINGS

- A. 'A' NPT EMERGENCY VENT FITTING PER NFPA 30 WITH VENT CAPS
- B. 2" NPT FUEL FILL FITTING WITH LOCKABLE CAP & 2" RISER
- C. 2" NPT ADDITIONAL FITTING FOR OPTIONAL ACCESSORY (INSTALL STEEL 2" NPT PIPE PLUG)
- D. 2" NORMAL VENT FITTING WITH MUSHROOM VENT CAP AND 5" RISER
- E. 2" NPT FITTING FOR REMOVABLE ENGINE SUPPLY DIP TUBE (3/8" NPT FEMALE WITH CHECK VALVE)
- F. 2" NPT FITTING FOR REMOVABLE FUEL RETURN DIP TUBE (3/8" NPT FEMALE)
- H. 2" NPT FUEL LEVEL SENDING UNIT
- J. 2" NPT ADDITIONAL FITTING FOR OPTIONAL ACCESSORY (INSTALL STEEL 2" NPT PIPE PLUG)
- M. 1/2" NPT BASIN DRAIN (INSTALL STEEL 1/2" NPT PIPE PLUG)
- N. 1/2" NPT FOR FUEL IN BASIN SWITCH (INSTALL STEEL 1/2" NPT PIPE PLUG)



DETAIL A
SCALE 0.30



NOTE:
FOR FURTHER TANK DETAIL
SEE INDIVIDUAL DRAWINGS

- 4X 25.4 [1.00] STANDARD MOUNTING
- ◆ 8X 22.2 [0.875] IBC MOUNTING

STANDARD TANK

80 MODEL 457, 459, 4V9, 4P10X, 4R9X, 4T9X
100 MODEL 459, 4S11, 4V11, 4R9X, 4R12X, 4T12X
RECONNECTABLE
IMPROVE MOTOR STARTING (IMS) RECONNECTABLE
600V & 1 PHASE ALTERNATORS
4045HF285 JOHN DEERE, TIER III

REV	DATE	ON COMPOSITE DWGS. SEE PART NO. FOR REVISION LEVEL	BY
-	1-13-10	NEW DRAWING [89091]	BLD
A	9-2-10	(B-4,B-6,B-7,B-8) 287.0, 1039.9, 1799.6, 2549.7, & 8X Ø22.2 NOTE ADDED, SHEET 3 WAS 2 [90063]	KMP
B	11-16-11	VIEWS UPDATED [92417-1]	PKD
C	2-7-12	(A-4) 80 & 100 MODEL NOTE UPDATED, SEE SHEET 2,3 [92681]	PKD
D	9-12-12	SHEET 3, STATE TANK DATA REMOVED, (A-8, D-1) "IBC..." NOTE ADDED [CT23454]	JB2

UNLESS OTHERWISE SPECIFIED - 1) DIMENSIONS ARE IN MILLIMETERS 2) TOLERANCES ARE: X.XX ± 0.25 X.X ± 1.0 X ± 1.5 ANGLES ± 0° 30' MAX.		KOHLER CO. METRIC PRO-E POWER SYSTEMS, KOHLER, WI 53044 U.S.A. THIS DRAWING IN DESIGN AND DETAIL IS KOHLER CO. PROPERTY AND MUST NOT BE USED EXCEPT IN CONNECTION WITH KOHLER CO. WORK. ALL RIGHTS OF DESIGN OR INVENTION ARE RESERVED. TITLE DIMENSION PRINT SCALE 0.15 CAD NO. SHEET 1 of 2 DWG NO. ADV-7880 D
APPROVALS	DATE	
DRAWN BLD	1-13-10	
CHECKED KDW	1-13-10	
APPROVED SLJ	1-13-10	

IBC
STANDARD
TANK

