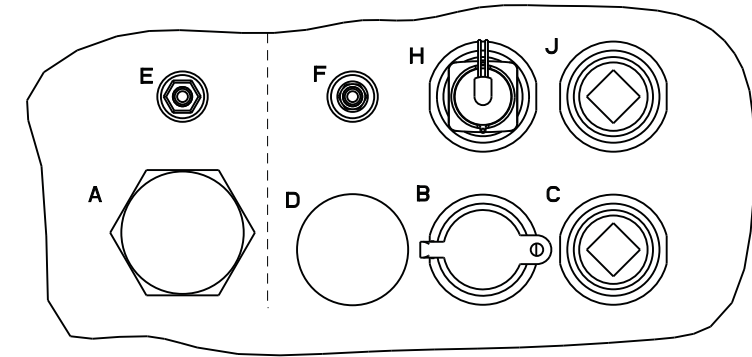


MODEL	CAPACITY		WEIGHT		HEIGHT		LENGTH		E-VENT, "A"	
	LTR	GAL	KG	LBS	MM	IN	MM	IN	SIZE (IN)	QTY
80/100kW	791	209	366	807	508	20	2800	110.2	3"	2
80 kW	1371	348	482	1062	813	32	2800	110.2	3"/4"	1 EACH
100 kW	1698	448	560	1234	813	32	3400	133.9	4"	2

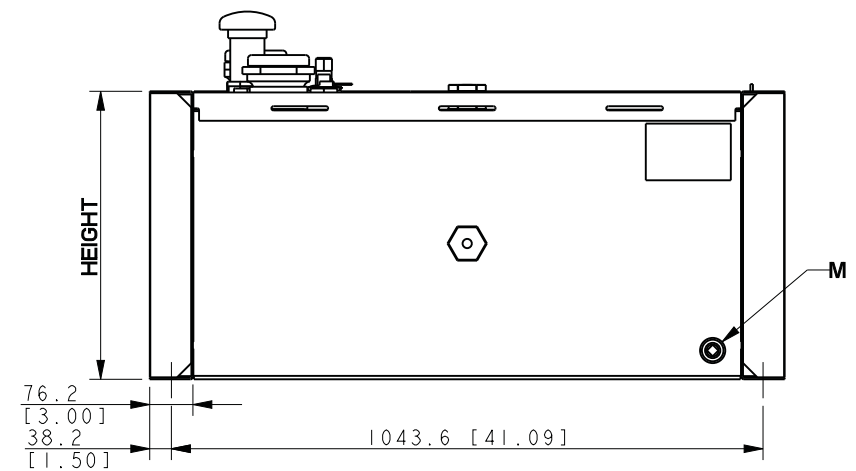
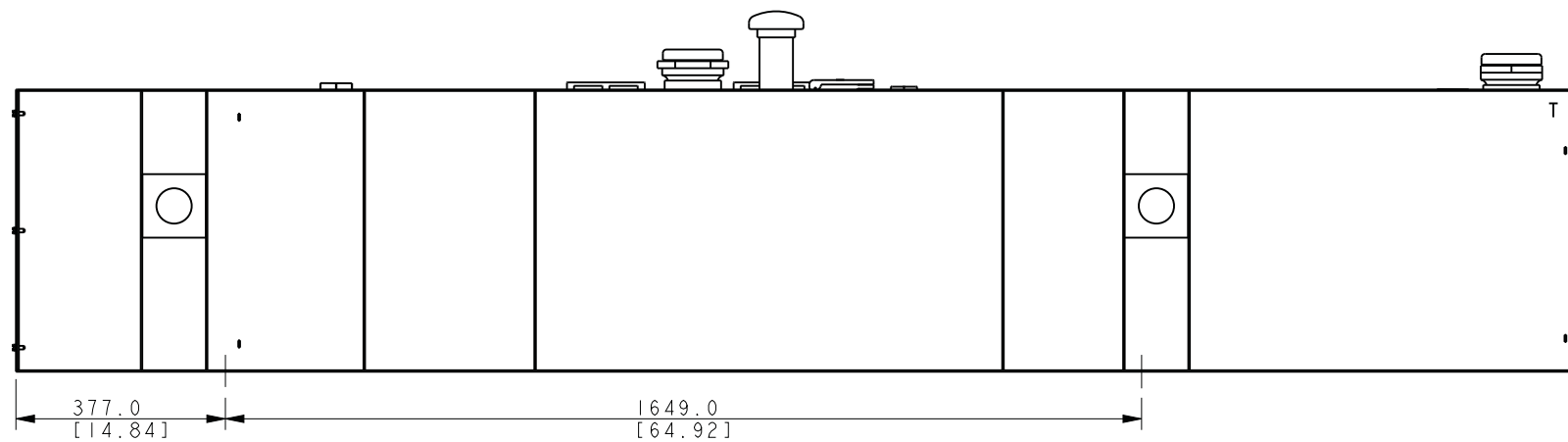
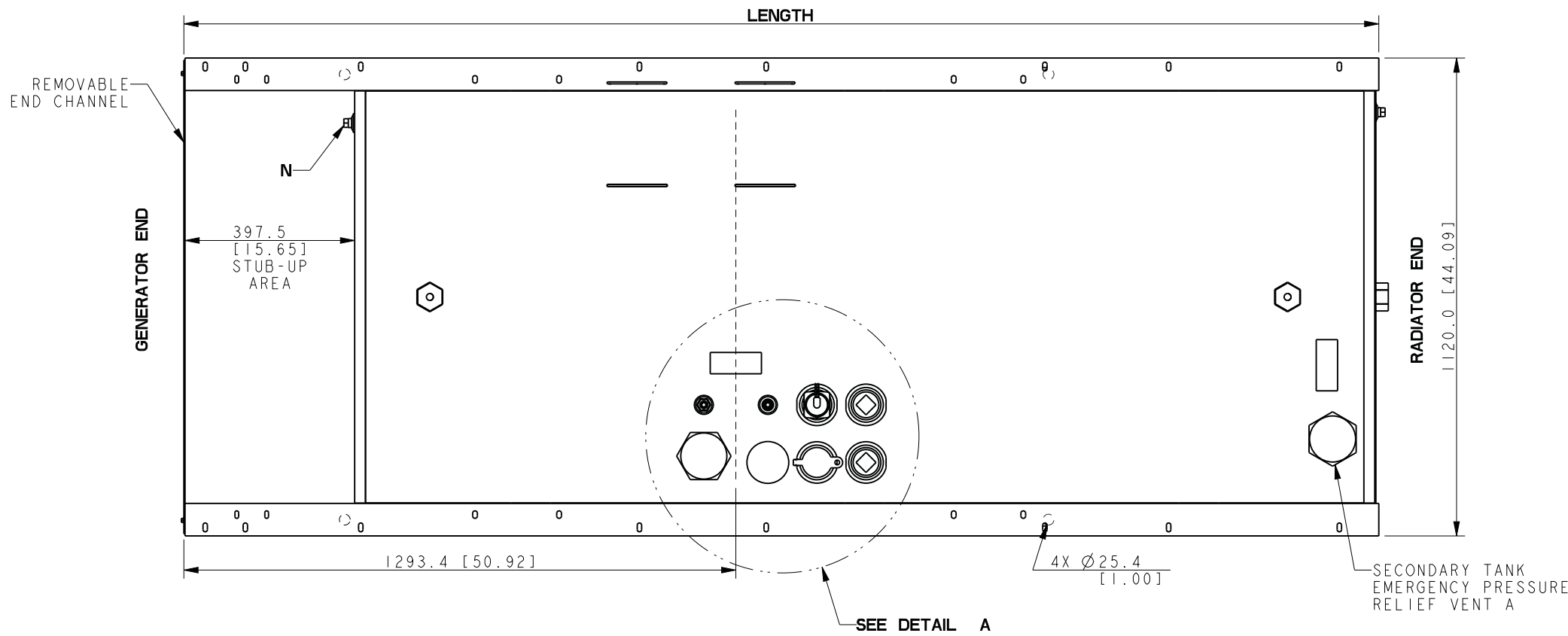


DETAIL A
SCALE 0.30

TANK FITTINGS

- A. "A" NPT EMERGENCY VENT FITTING PER NFPA 30 WITH VENT CAPS
- B. 2" NPT FUEL FILL FITTING WITH LOCKABLE CAP & 2" RISER
- C. 2" NPT ADDITIONAL FITTING FOR OPTIONAL ACCESSORY (INSTALL STEEL 2" NPT PIPE PLUG)
- D. 2" NORMAL VENT FITTING WITH MUSHROOM VENT CAP AND 5" RISER
- E. 2" NPT FITTING FOR REMOVABLE ENGINE SUPPLY DIP TUBE (3/8" NPT FEMALE WITH CHECK VALVE)
- F. 2" NPT FITTING FOR REMOVABLE FUEL RETURN DIP TUBE (3/8" NPT FEMALE)
- H. 2" NPT FUEL LEVEL SENDING UNIT
- J. 2" NPT ADDITIONAL FITTING FOR OPTIONAL ACCESSORY (INSTALL STEEL 2" NPT PIPE PLUG)
- M. 1/2" NPT BASIN DRAIN (INSTALL STEEL 1/2" NPT PIPE PLUG)
- N. 1/2" NPT FOR FUEL IN BASIN SWITCH (INSTALL STEEL 1/2" NPT PIPE PLUG)

* FITTING DESIGNATIONS TO CHANGE WITHOUT NOTIFICATION



STANDARD TANK

80 MODEL 4S7, 4S9, 4V9
100 MODEL 4S9, 4S11, 4V11
RECONNECTABLE
IMPROVE MOTOR STARTING (IMS) RECONNECTABLE
600V & 1 PHASE ALTERNATORS
4045HF285 JOHN DEERE, TIER III

REV	DATE	ON COMPOSITE DWGS. SEE PART NO. FOR REVISION LEVEL	BY
-	9-20-12	NEW DRAWING [CT23454]	KMP
A	5-23-13	(D-8) 348 GAL TANK: VENT SIZE 3"/4" (1 EACH) WAS 3" (2) [CT47790]	PKD

UNLESS OTHERWISE SPECIFIED -
1) DIMENSIONS ARE IN MILLIMETERS
2) TOLERANCES ARE:
X.XX ± 0.25
X.X ± 1.0
X ± 1.5
ANGLES ± 0° 30'

THIRD ANGLE PROJECTION

APPROVALS	DATE
DRAWN KMP	9-20-12
CHECKED JB2	9-20-12
APPROVED AJD	9-20-12

KOHLER CO. METRIC PRO-E
POWER SYSTEMS, KOHLER, WI 53044 U.S.A.
THIS DRAWING IN DESIGN AND DETAIL IS KOHLER CO. PROPERTY AND MUST NOT BE USED EXCEPT IN CONNECTION WITH KOHLER CO. WORK. ALL RIGHTS OF DESIGN OR INVENTION ARE RESERVED.

TITLE: **DIMENSION PRINT**

SCALE 0.15 CAD NO. SHEET 1 of 1
DWG NO. **ADV-8519** D