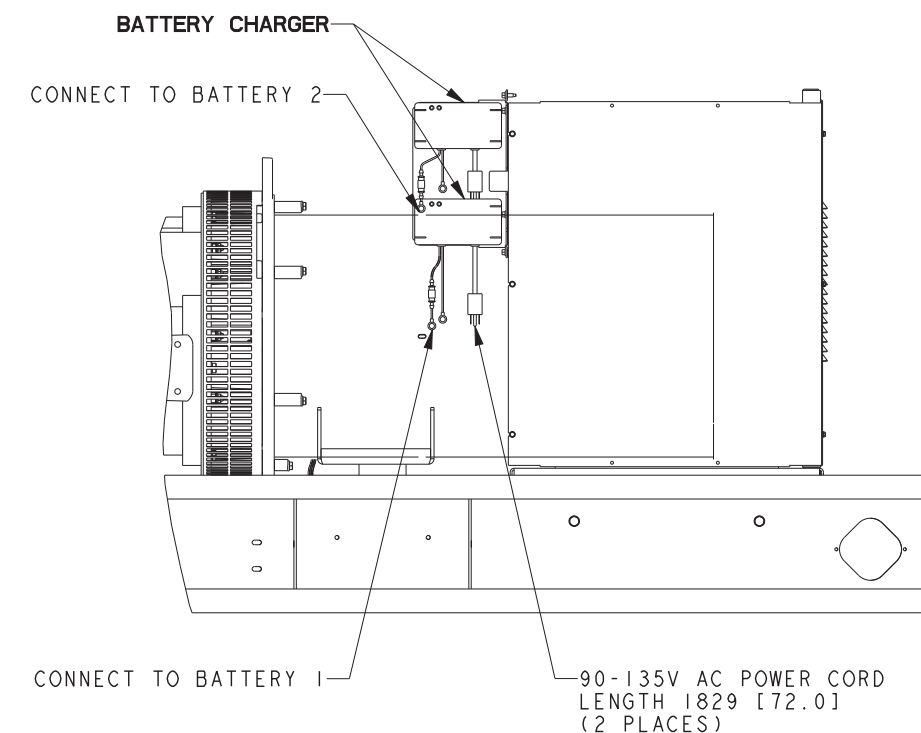
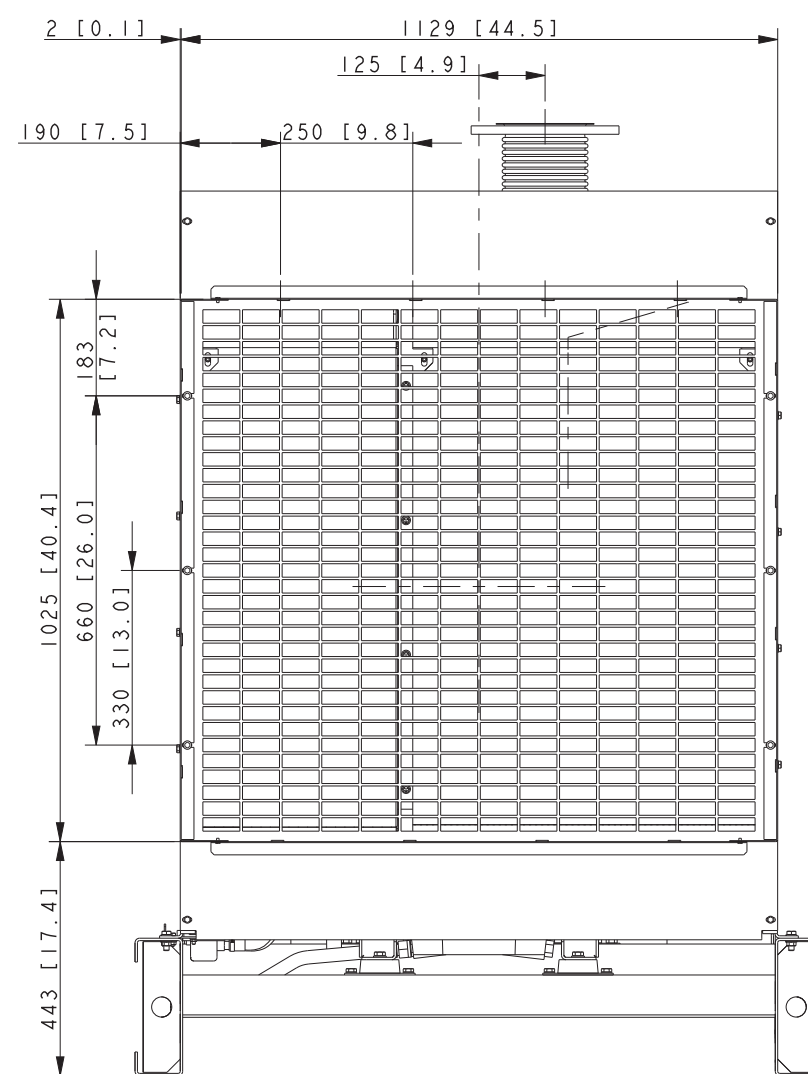
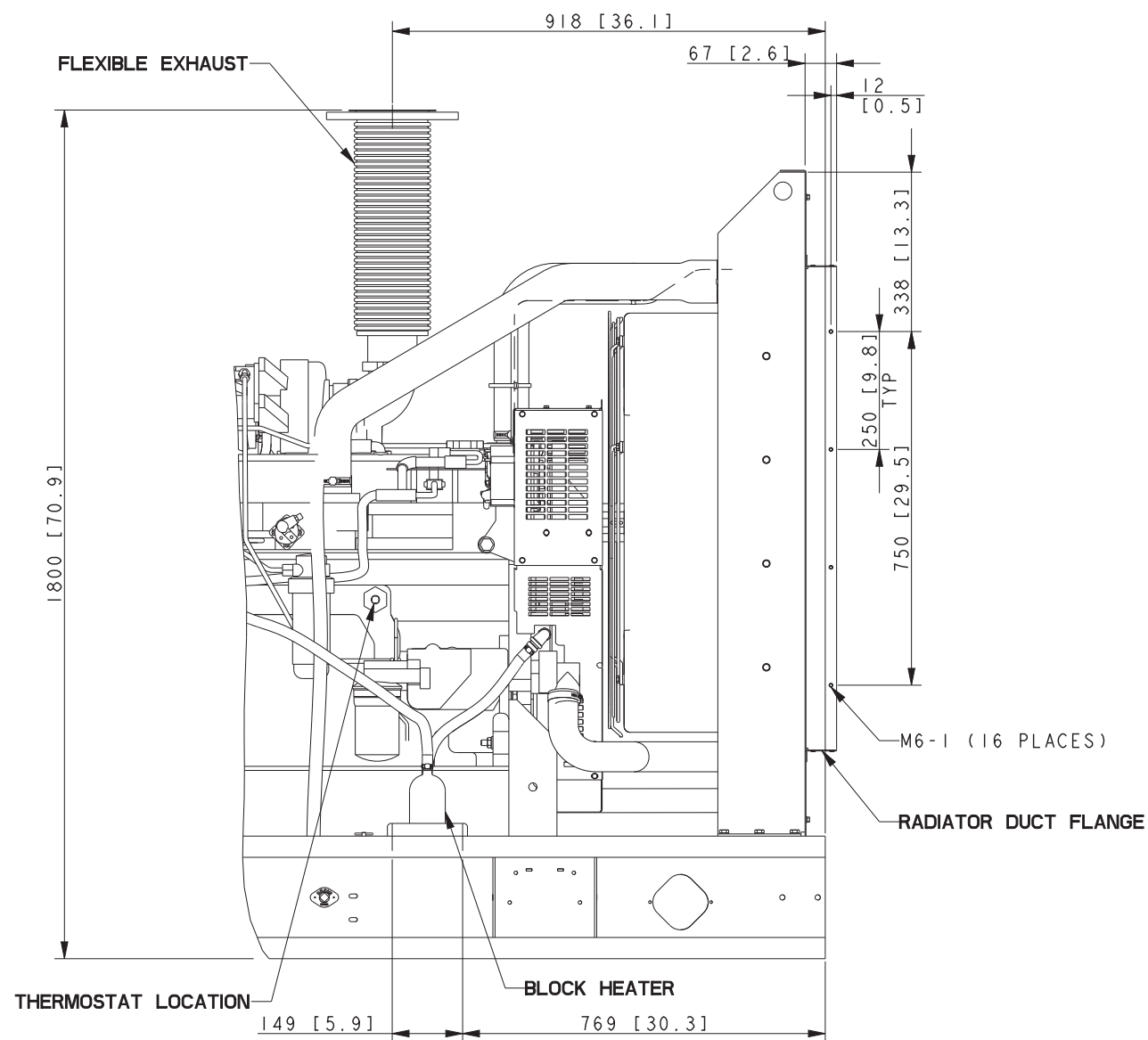


6" ANSI FLANGE
(B16.5 CLASS 150)
SCALE 0.20



NOTE: DIMENSIONS IN [] ARE ENGLISH EQUIVALENTS

REV	DATE	ON COMPOSITE DWGS. SEE PART NO. FOR REVISION LEVEL	BY	UNLESS OTHERWISE SPECIFIED - 1) DIMENSIONS ARE IN MILLIMETERS 2) TOLERANCES ARE:	APPROVALS	DATE	TITLE
-	12-4-09	NEW DRAWING [88257-4]	DJV	X.XX ± 0.25 X.X ± 1.0 X ± 1.5 ANGLES ± 0° 30'	DJV	12-4-09	KOHLER CO. METRIC PRO-E POWER SYSTEMS, KOHLER, WI 53044 U.S.A. THIS DRAWING IN DESIGN AND DETAIL IS KOHLER CO. PROPERTY AND MUST NOT BE USED EXCEPT IN CONNECTION WITH KOHLER CO. WORK. ALL RIGHTS OF DESIGN OR INVENTION ARE RESERVED.
				THIRD ANGLE PROJECTION	CWF	12-4-09	DIMENSION PRINT, ACCESSORY, 180-200 JD
					JDZ	12-4-09	SCALE 0.14 CAD NO. SHEET 1 of 1
							ADV-7853 D

180 MODEL 4S15
200 MODEL 4UA9 & 4UA13
RECONNECTABLE
IMPROVED MOTOR STARTING (IMS) RECONN., & 600V ALTERNATORS
JOHN DEERE 6068HF TIER III