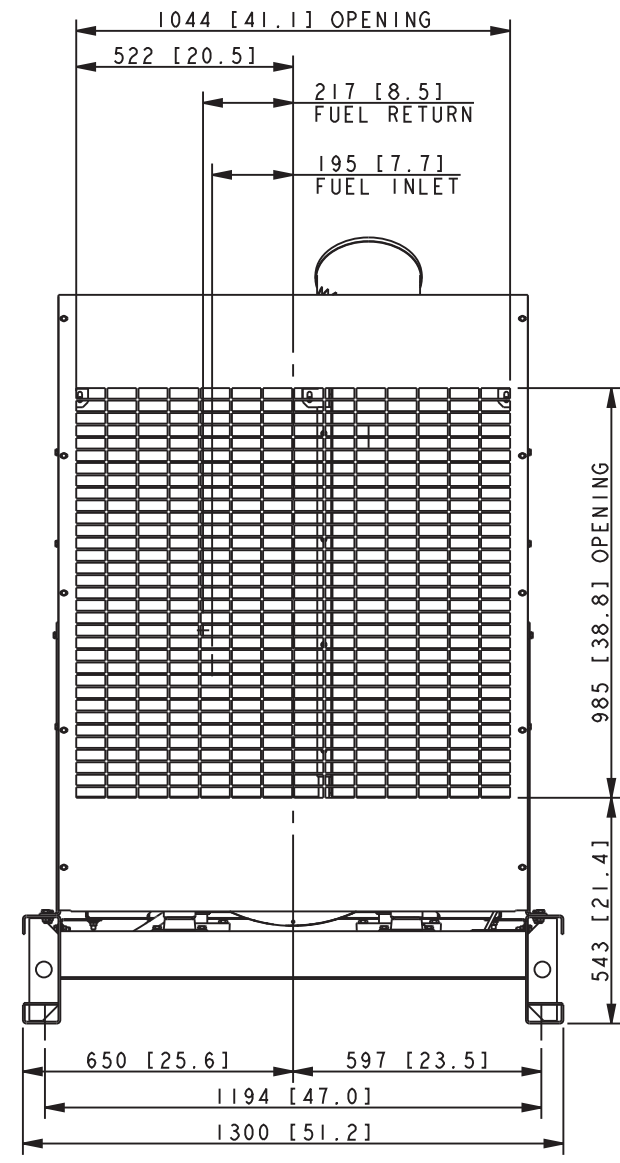
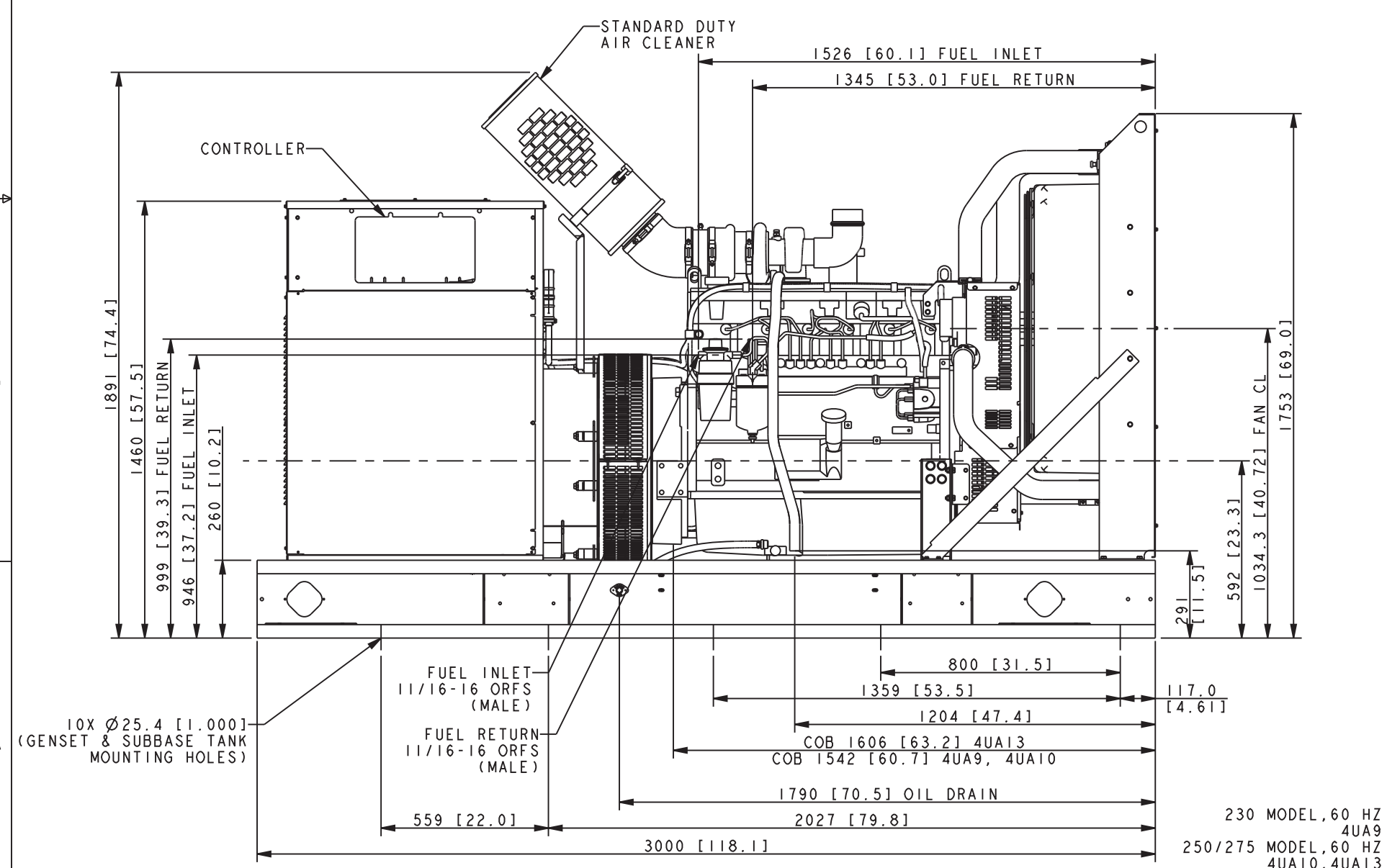


INSTALLATION NOTE
 IF SUBBASE FUEL TANK AND/OR SOUND HOUSING IS USED, REFER TO SUBBASE FUEL TANK ADV TO DETERMINE MOUNTING LOCATIONS.



MODEL	ALT.	GENSET WEIGHT (WET)
230	4UA9	2268 Kg [5000 LBS]
250/275	4UA10	2313 Kg [5100 LBS]
230/250/275/300	4UA13	2449 Kg [5400 LBS]

NOTES:
 **1) WHEN SUBBASE TANK IS USED, CONDUIT MUST BE LOCATED OUTSIDE OF TANK AREA OR IN STUB-UP AREA FOR SUBBASE TANK. REFER TO SUBBASE ADV.
 2) DIMENSIONS IN [] ARE ENGLISH EQUIVALENTS.
 3) IF AN ENCLOSURE IS USED THE FUEL LINE MUST BE STUBBED UP FROM DIRECTLY UNDER THE UNIT OR BROUGHT IN FROM THE END OF THE SKID. REFER TO ENCLOSURE ADV.
 4) IF IBC CERTIFICATION IS REQUIRED SEE SEISMIC ADV FOR INSTALLATION INSTRUCTIONS.

REV	DATE	ON COMPOSITE DWGS. SEE PART NO. FOR REVISION LEVEL	BY
-	9-27-10	NEW DRAWING [90099]	DJV
A	11-10-10	(B-8) 1891 [74.4] DIM ADDED; (C-6) STANDARD DUTY AIR CLEANER NOTE ADDED; (D-4,8) ENCLOSED GENSETS ONLY NOTE ADDED; SHEET 2 ADDED, EXHAUST DETAIL MOVED TO SHEET 2 [90647-3]	DJV
B	8-22-11	(C-5) 3/8-18 WAS 1/2-14 SUPPLY [92115]	SAM

KOHLER CO. METRIC PRO-E
 POWER SYSTEMS, KOHLER, WI 53044 U.S.A.
 THIS DRAWING IN DESIGN AND DETAIL IS KOHLER CO. PROPERTY AND MUST NOT BE USED EXCEPT IN CONNECTION WITH KOHLER CO. WORK. ALL RIGHTS OF DESIGN OR INVENTION ARE RESERVED.

TITLE
DIMENSION PRINT, 230-300 JD

SCALE 0.11 CAD NO. SHEET 1 of 2
 ADV-7900 D

230 MODEL, 60 HZ
 4UA9
 250/275 MODEL, 60 HZ
 4UA10, 4UA13
 300 MODEL, 60HZ, 4UA13
 RECONN. & 600V ALTERNATORS
 JOHN DEERE 6090HF, TIER III

