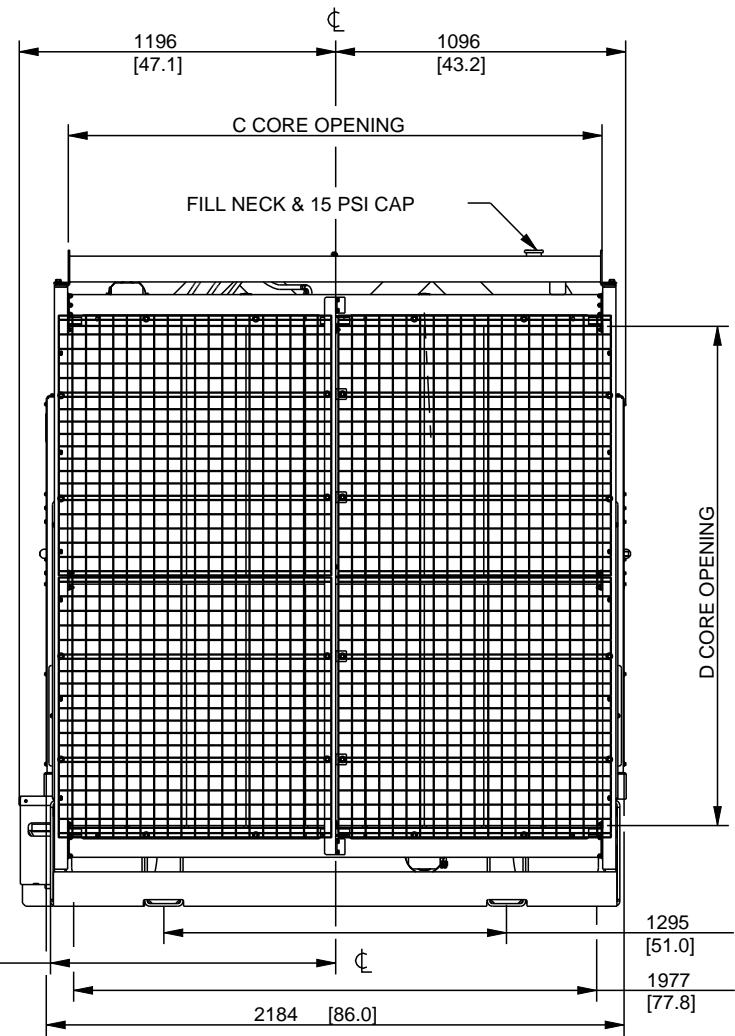


KD1250-A/1350			
ALTERNATOR FRAME SIZE			
	KH04830TO4D	KH05520TO4D	KH03850TO4D KH04590TO4D KH04920TO4D
A	4853 [191.1]	4933 [194.2]	4900 [192.9]

KD1250-A/1350				
COG WITH RESPECT TO DIFFERENT ALTERNATORS - 9 SECTION RADIATOR				
MODEL	ALT.	GENSET MAXIMUM WEIGHT (WET)	HORIZONTAL CG (WET) "X"	VERTICAL CG (WET) "Z"
KD1250-A	KH04830TO4D	10056 [22179 lbs]	2608 [102.7]	811 [32.0]
KD1250-A/1350	KH05520TO4D	10369 [22870 lbs]	2660 [104.7]	810 [31.9]
KD1250-A/1350	KH03850TO4D	10434 [23013 lbs]	2627 [103.4]	810 [31.9]
KD1250-A	KH04590TO4D	10834 [23894 lbs]	2695 [106.1]	809 [31.8]
KD1250-A/1350	KH06810TO4D	11914 [26276 lbs]	2858 [112.5]	806 [31.7]
KD1350	KH04920TO4D	11066 [24407 lbs]	2721 [107.1]	808 [31.8]
KD1350	KH05740TO4D	11331 [25472 lbs]	2776 [109.3]	808 [31.8]

DIMENSIONS	KD1250-A/1350 60Hz RADIATOR	KD1250-A/1350 50Hz RADIATOR
B	2480 [97.6]	2311 [90.9]
C	2022 [79.6]	1798 [70.8]
D	1900 [74.8]	1700 [66.9]

- NOTES:
- 1) DIMENSIONS IN [ ] ARE ENGLISH EQUIVALENTS.
  - 2) IF AN ENCLOSURE IS USED THE FUEL LINE MUST BE STUBBED UP FROM DIRECTLY UNDER THE UNIT. REFER TO ENCLOSURE ADV.
  - 3) IF IBC OR OSHPD CERTIFICATION IS REQUIRED SEE SEISMIC ADV FOR INSTALLATION INSTRUCTIONS.
  - 4) IF SUBBASE FUEL TANK AND/OR ENCLOSURE IS USED. REFER TO SUBBASE FUEL TANK/ENCLOSURE ADV TO DETERMINE MOUNTING LOCATION.



REV	DATE	ON COMPOSITE DWGS, SEE PART NO. FOR REVISION LEVEL	BY	DO NOT SCALE. REFERENCE THE MODEL FOR ALL UNSPECIFIED DIMENSIONS
-	11-22-17	NEW DRAWING [CT179146]	YBY	

UNLESS OTHERWISE SPECIFIED:  
ALL DIMENSIONS IN MILLIMETERS  
GENERAL TOLERANCES:  
XX ± 0.25  
X ± 1.0  
X ± 1.5  
ANGLES ± 0°30'

APPROVALS

APPROVED	DATE
YBY	11-6-17
BGP	11-6-17
BMK	11-6-17

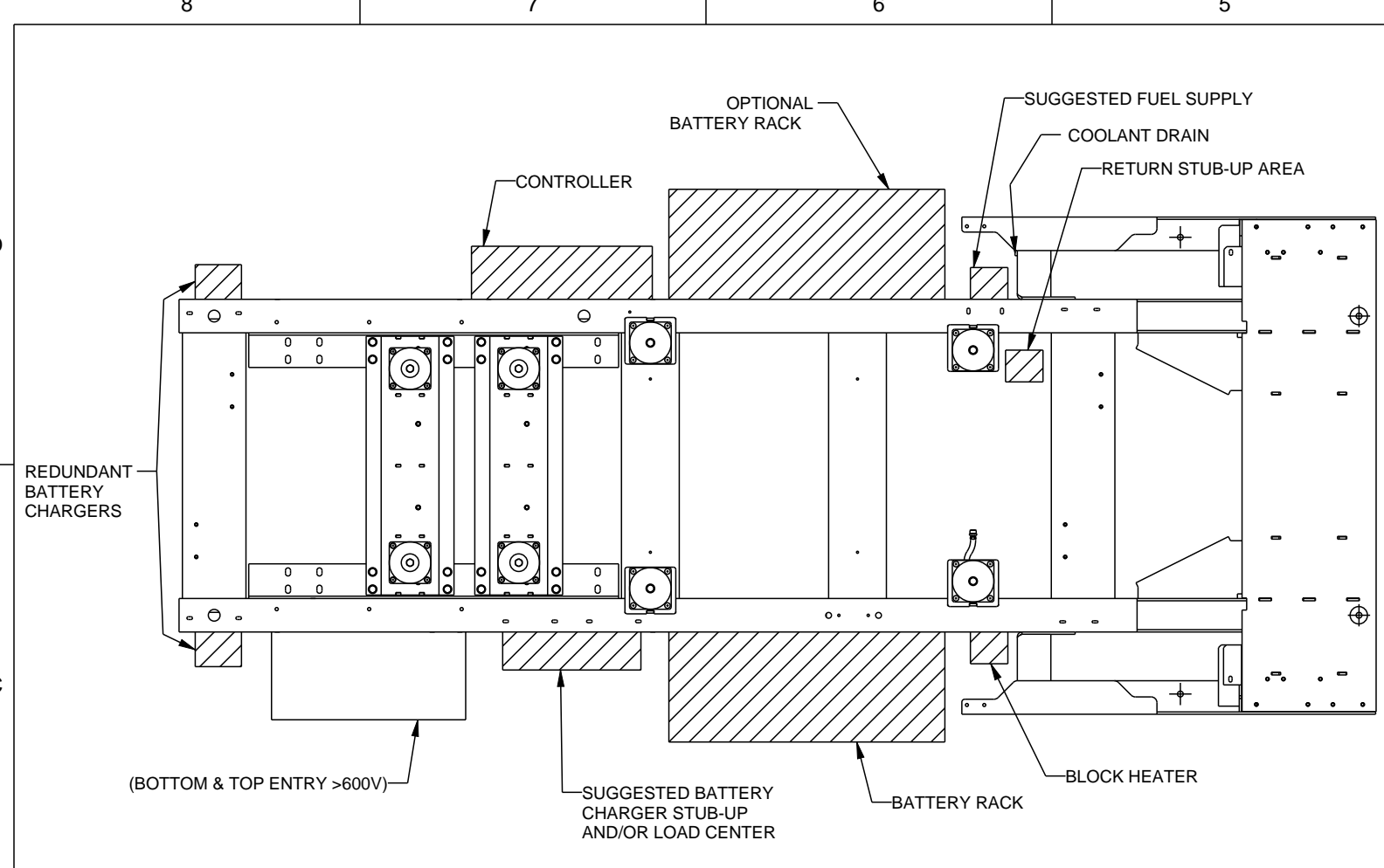
THIRD ANGLE PROJECTION

**KOHLER.**  
KOHLER, WISCONSIN 53044  
THIS DRAWING IN DESIGN AND DETAIL IS KOHLER CO. PROPERTY AND MUST NOT BE USED EXCEPT IN CONNECTION WITH KOHLER CO. WORK. ALL RIGHTS OF DESIGN OR INVENTION ARE RESERVED.

TITLE: **DIMENSION PRINT, KD1250-A/1350KW**

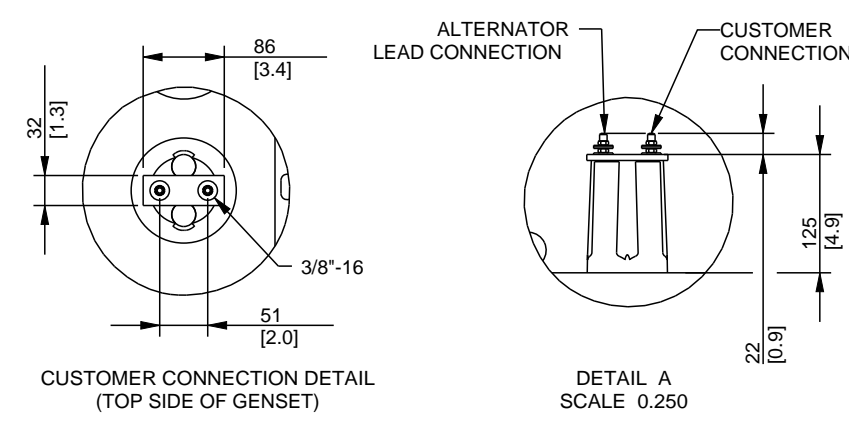
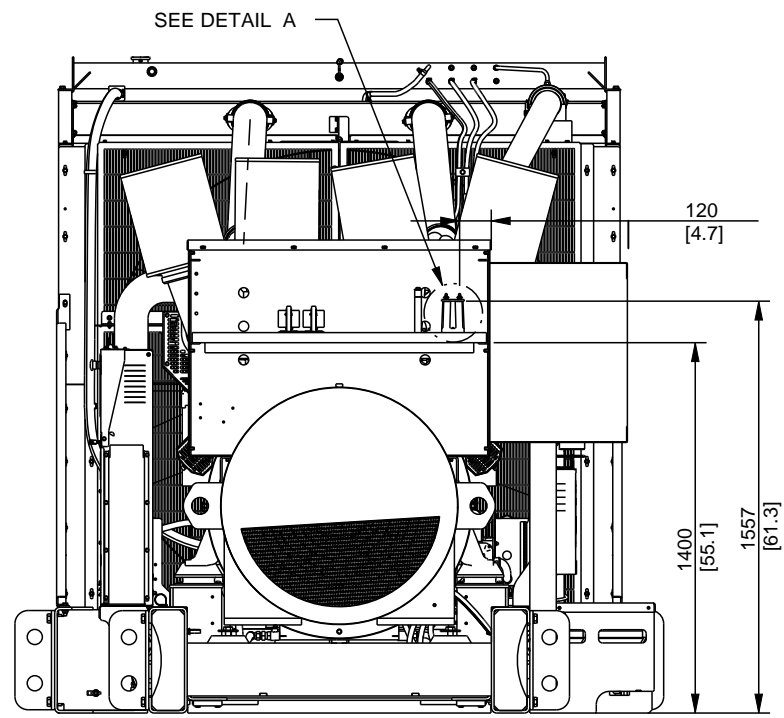
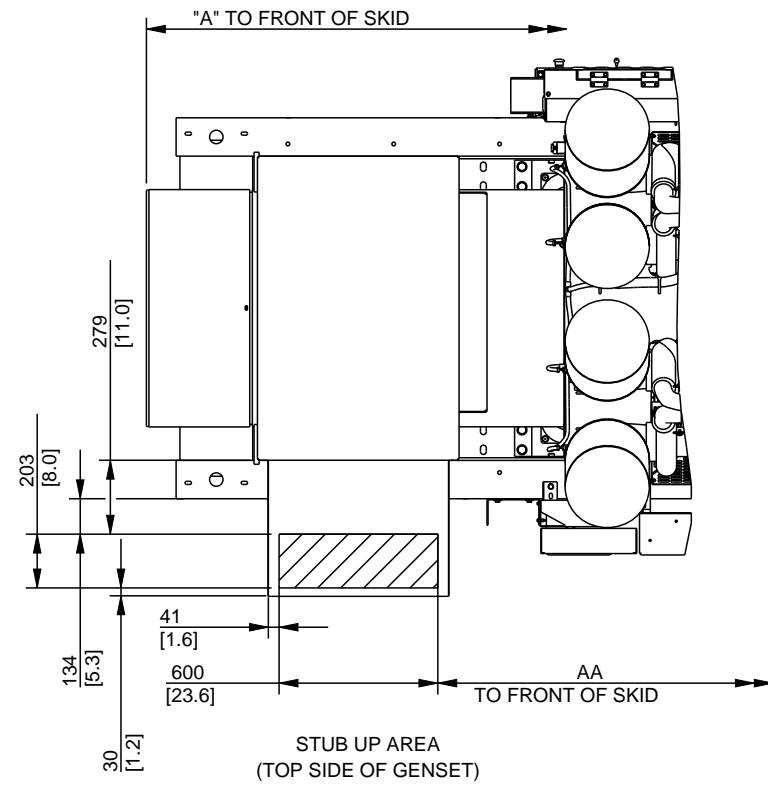
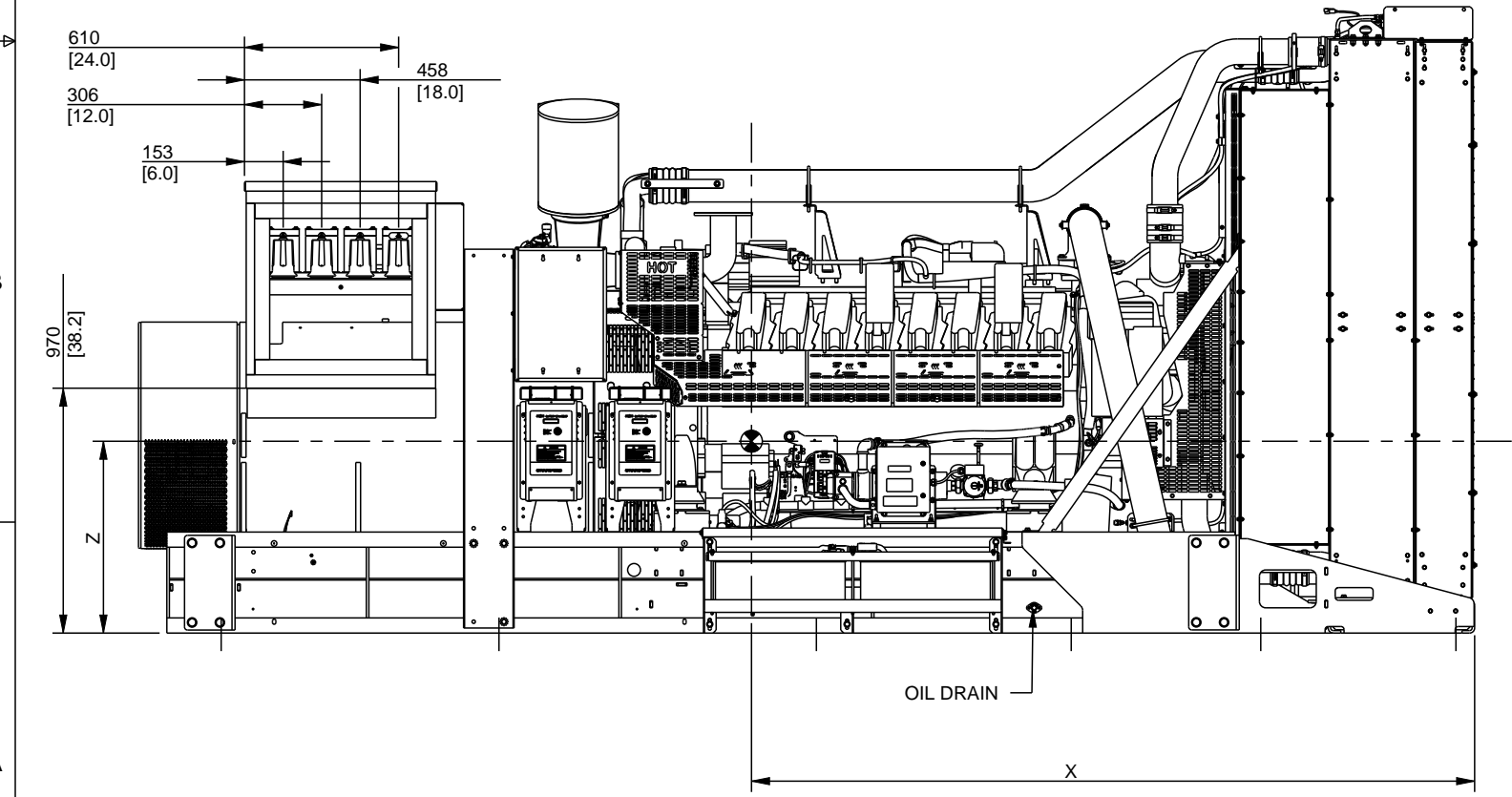
SCALE: 0.07 CAD NO. SHEET 1 of 6

DWG NO. ADV-9015



KD1250-A/1350		
ALTERNATOR	LOW VOLTAGE (380-600V)	ALTERNATOR FRAME SIZE
	AA	A
KH05641TO4D	4087 [161.0]	5191 [204.4]
KH06721TO4D	4189 [165.0]	5291 [208.3]

KD1250-A/1350				
COG WITH RESPECT TO DIFFERENT ALTERNATORS - 9 SECTION RADIATOR				
MODEL	ALT.	GENSET MAXIMUM WEIGHT (WET)	HORIZONTAL CG (WET) "X"	VERTICAL CG (WET) "Z"
KD1250-A/1350	KH05641TO4D	11140 [24569 lbs]	2801 [110.3]	804 [31.7]
KD1250-A/1350	KH06721TO4D	11549 [25472 lbs]	2871 [113.0]	804 [31.7]



- NOTES:
- 1) DIMENSIONS IN [ ] ARE ENGLISH EQUIVALENTS.
  - 2) IF AN ENCLOSURE IS USED THE FUEL LINE MUST BE STUBBED UP FROM DIRECTLY UNDER THE UNIT. REFER TO ENCLOSURE ADV.
  - 3) IF IBC OR OSHPD CERTIFICATION IS REQUIRED SEE SEISMIC ADV FOR INSTALLATION INSTRUCTIONS.
  - 4) IF SUBBASE FUEL TANK AND/OR ENCLOSURE IS USED. REFER TO SUBBASE FUEL TANK/ENCLOSURE ADV TO DETERMINE MOUNTING LOCATION.

>600V  
KD1250-A/1350KW 50/60HZ

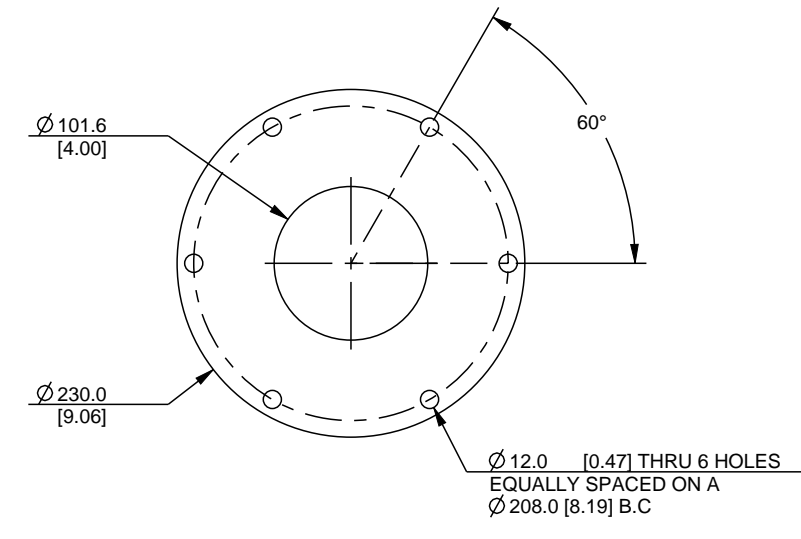
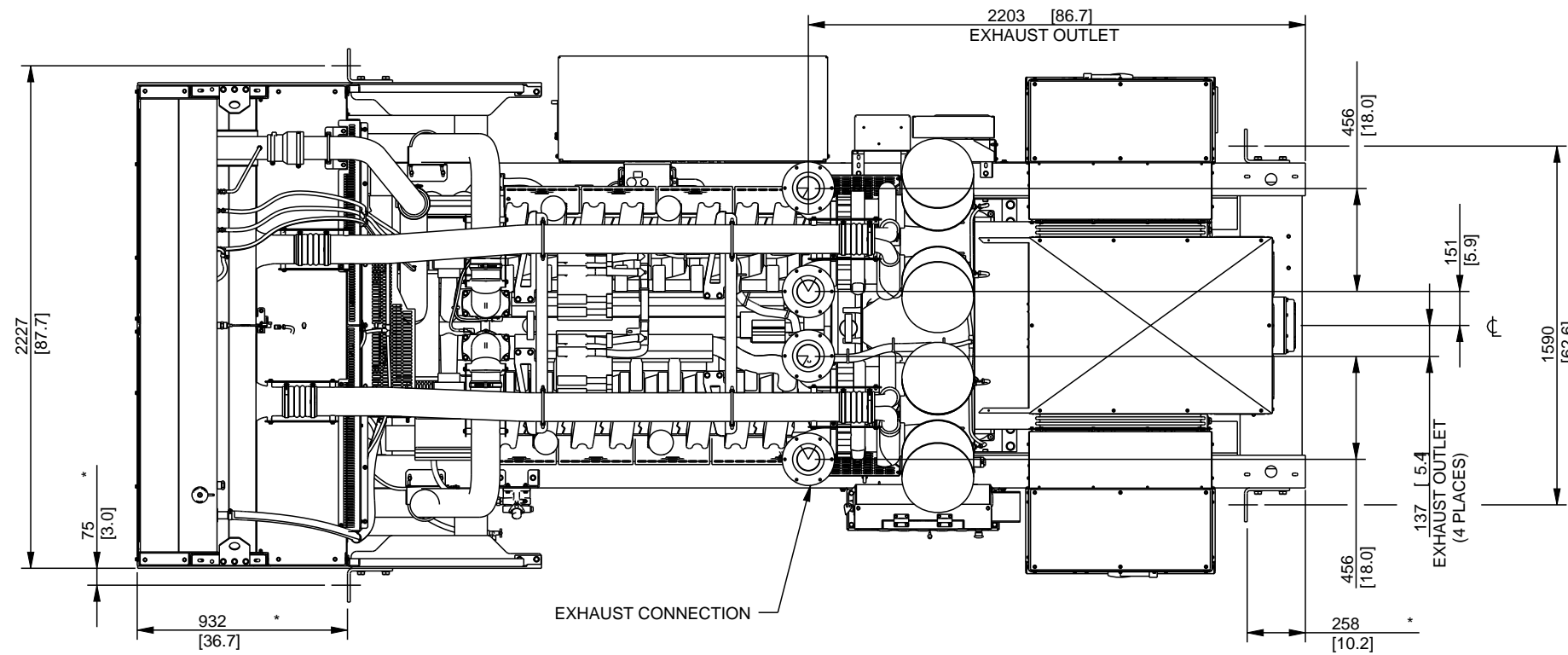
REV	DATE	ON COMPOSITE DWGS, SEE PART NO. FOR REVISION LEVEL	BY	DO NOT SCALE. REFERENCE THE MODEL FOR ALL UNSPECIFIED DIMENSIONS
-	11-22-17	NEW DRAWING [CT179146]	YBY	UNLESS OTHERWISE SPECIFIED: ALL DIMENSIONS IN MILLIMETERS GENERAL TOLERANCES: XX ± 0.25 X ± 0.5 X ± 1.0 ANGLES ± 0°30'
APPROVALS		DATE		
DRAWN	YBY	11-6-17		
CHECKED	BGP	11-6-17		
APPROVED		BMK	11-6-17	

**KOHLER**  
KOHLER, WISCONSIN 53044  
THIS DRAWING IN DESIGN AND DETAIL IS KOHLER CO. PROPERTY AND MUST NOT BE USED EXCEPT IN CONNECTION WITH KOHLER CO. WORK. ALL RIGHTS OF DESIGN OR INVENTION ARE RESERVED.

TITLE  
**DIMENSION PRINT, KD1250-A/1350KW**

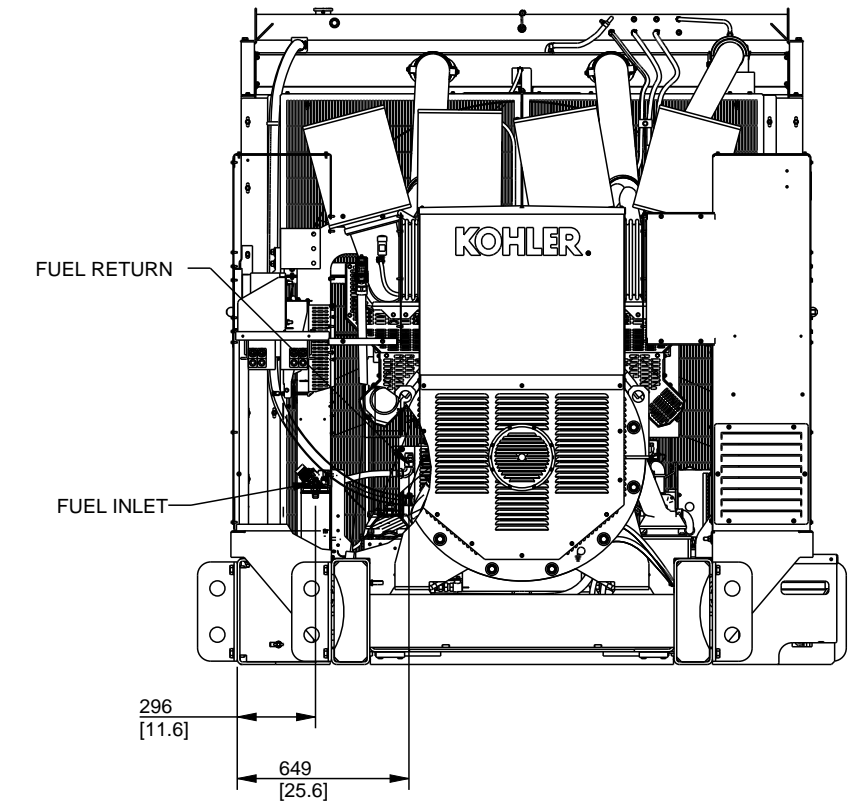
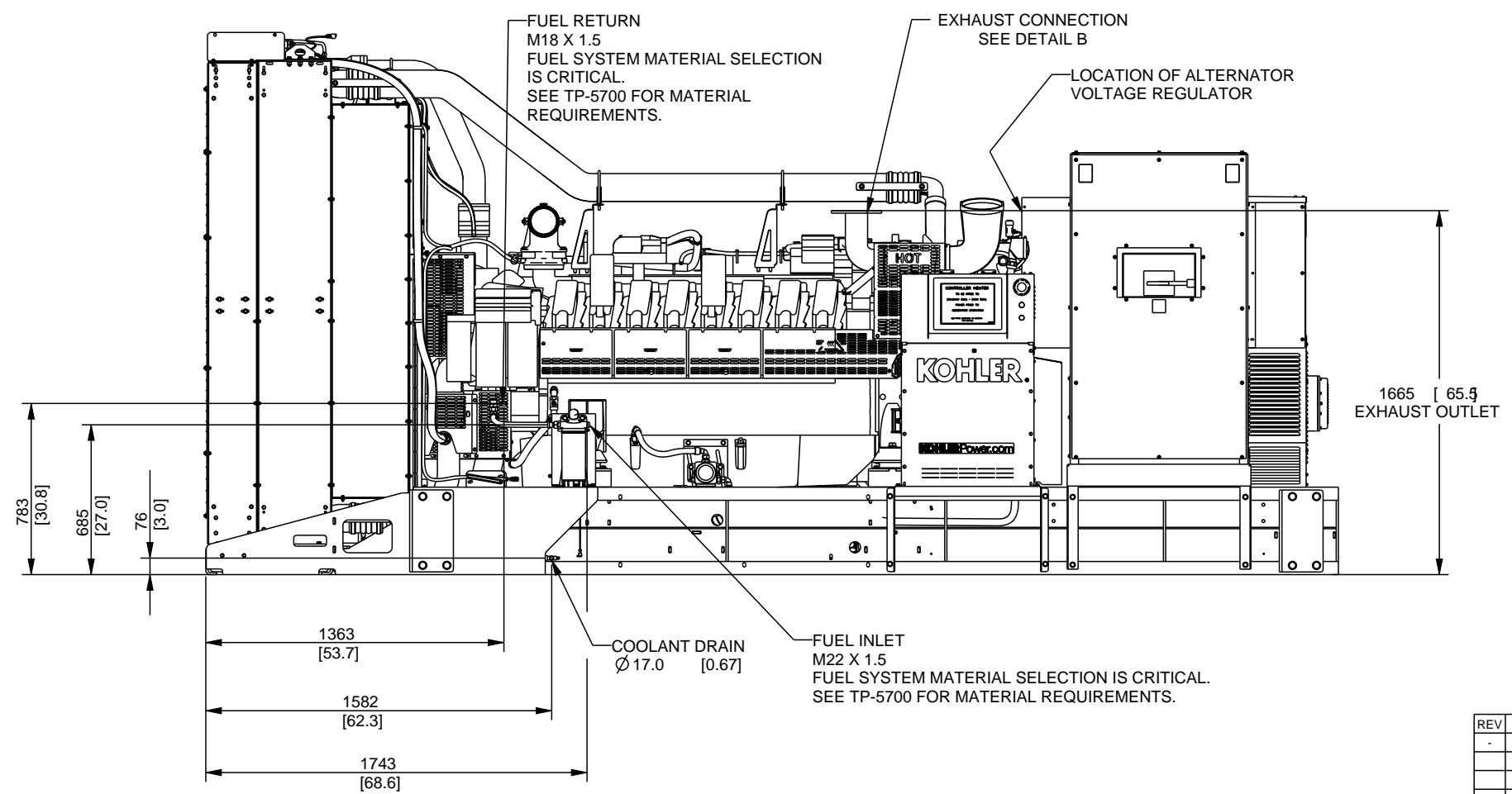
SCALE 0.07 CAD NO. SHEET 2 of 6

DWG NO. ADV-9015



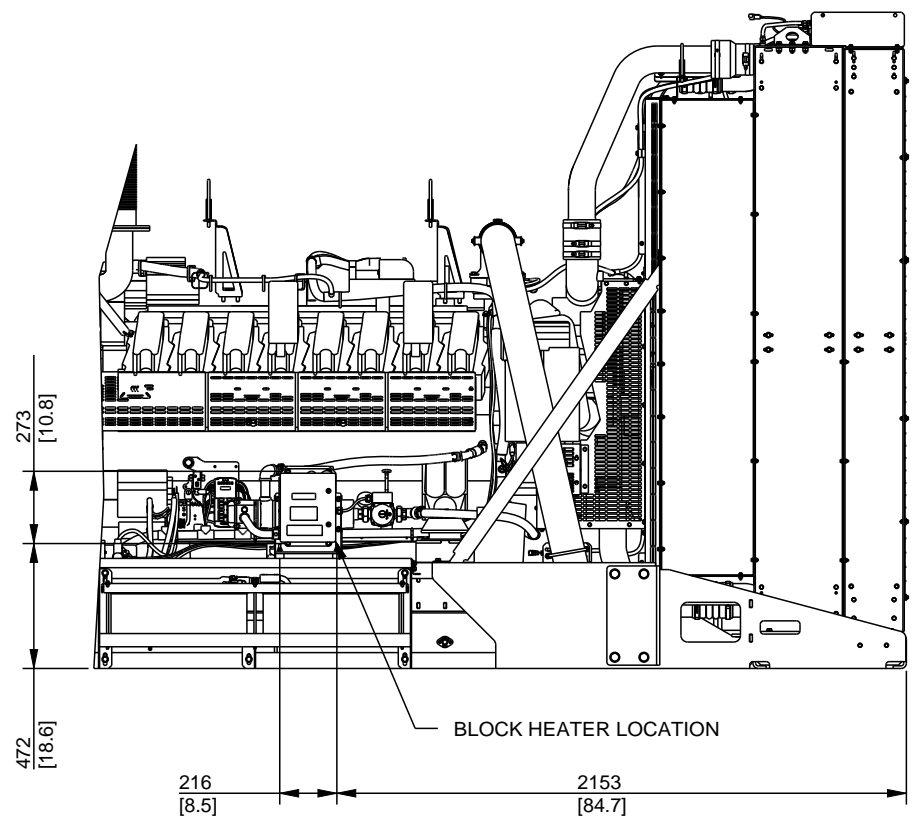
ENGINE EXHAUST OUTLET  
(4 PLACES)  
DETAIL B

\* GENERATOR LIFT POINTS TO BE USED TO LIFT OPEN GENERATOR ONLY

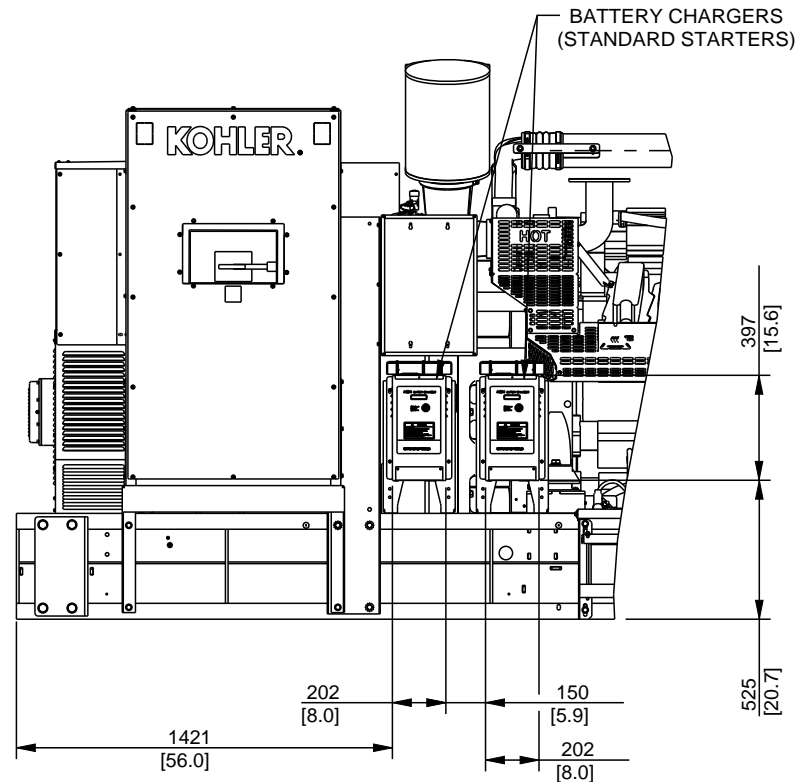


KD1250-A/1350KW 50/60HZ

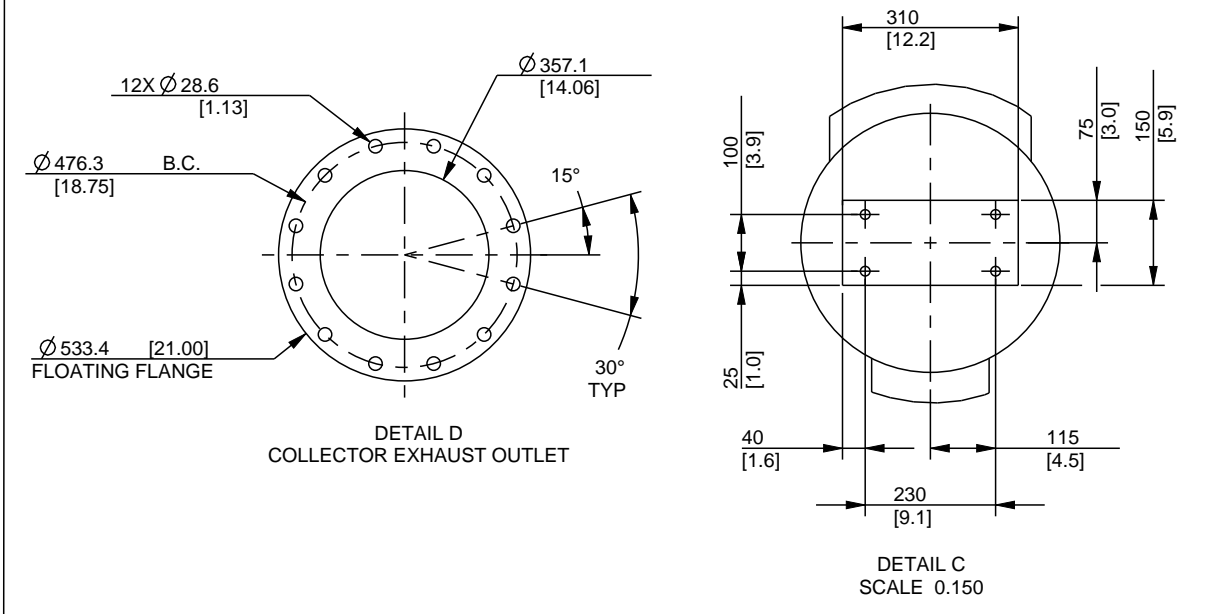
REV	DATE	ON COMPOSITE DWGS, SEE PART NO. FOR REVISION LEVEL	BY	DO NOT SCALE. REFERENCE THE MODEL FOR ALL UNSPECIFIED DIMENSIONS
-	11-22-17	NEW DRAWING [CT179146]	YBY	
				UNLESS OTHERWISE SPECIFIED: ALL DIMENSIONS IN MILLIMETERS GENERAL TOLERANCES: XX ± 0.25 X ± 1.0 X ± 1.5 ANGLES ± 0°30' MAX.
				<b>KOHLER.</b> KOHLER, WISCONSIN 53044 THIS DRAWING IN DESIGN AND DETAIL IS KOHLER CO. PROPERTY AND MUST NOT BE USED EXCEPT IN CONNECTION WITH KOHLER CO. WORK. ALL RIGHTS OF DESIGN OR INVENTION ARE RESERVED.
				TITLE <b>DIMENSION PRINT, KD1250-A/1350KW</b>
				SCALE 0.07 CAD NO. SHEET 3 of 6
				DWG NO. <b>ADV-9015</b>



BLOCK HEATER (RIGHT SIDE OF GENSET)

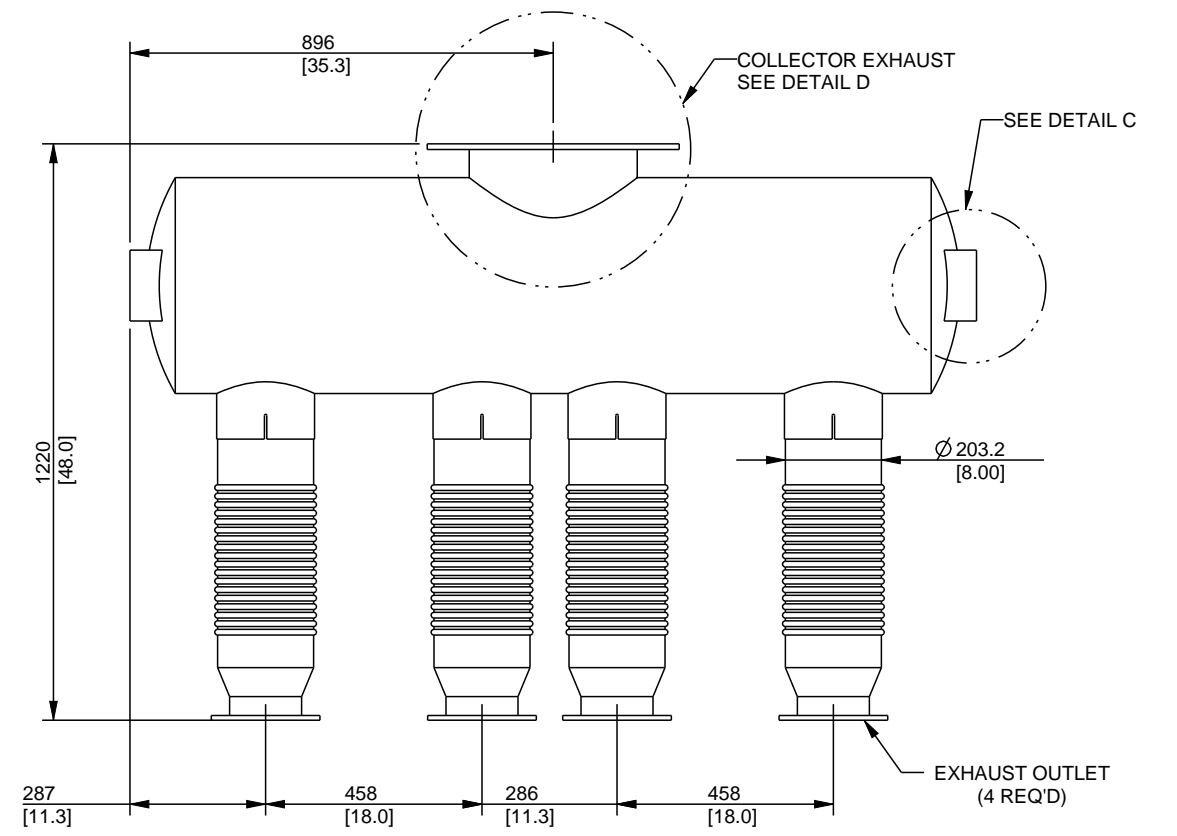


BATTERY CHARGER (RIGHT SIDE OF GENSET)



DETAIL D COLLECTOR EXHAUST OUTLET

DETAIL C SCALE 0.150

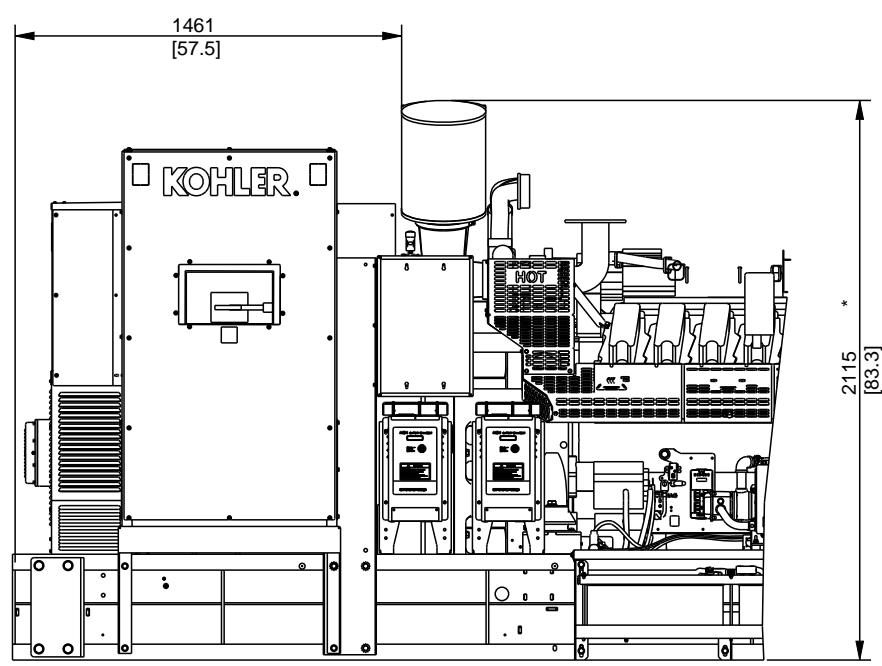


COLLECTOR EXHAUST

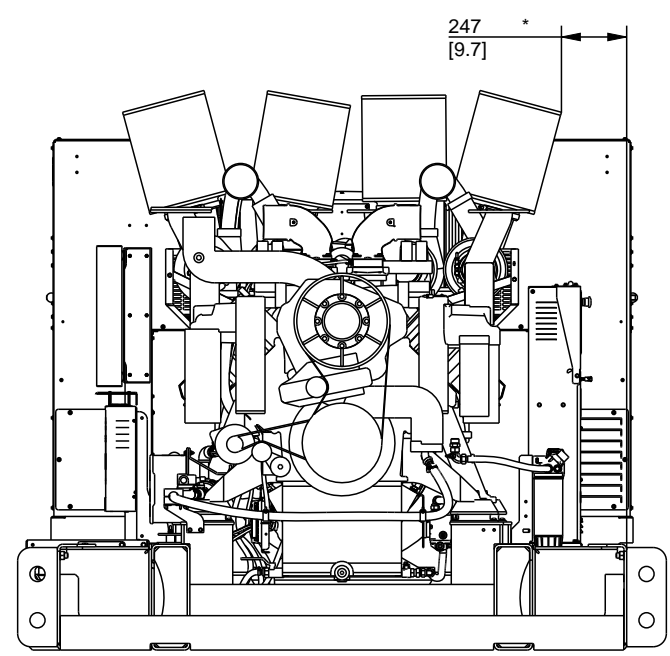
EXHAUST OUTLET (4 REQ'D)

NOTE:  
FLEXIBLE EXHAUST TO BE FULLY SUPPORTED BY EXTERNAL STRUCTURE  
(ALLOWED BENDING MOMENT AT EXHAUST FLANGE INTERFACE LESS THAN 19 Nm)

\* DIMENSIONS MAY CHANGE AS ELBOWS CAN BE ROTATED



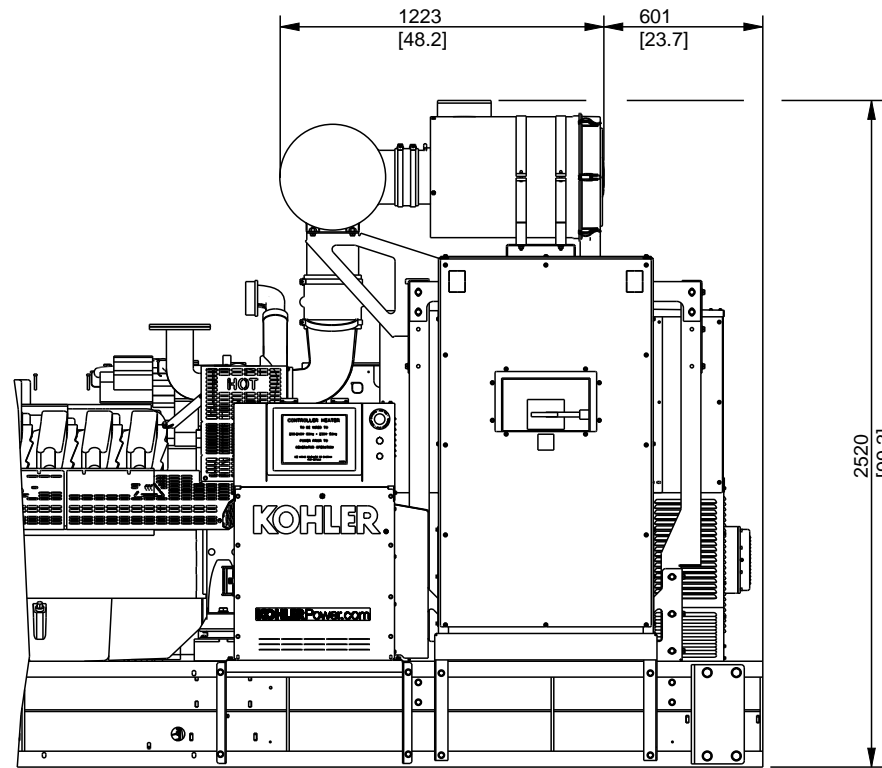
STANDARD DUTY AIR CLEANER (RIGHT SIDE OF GENSET)



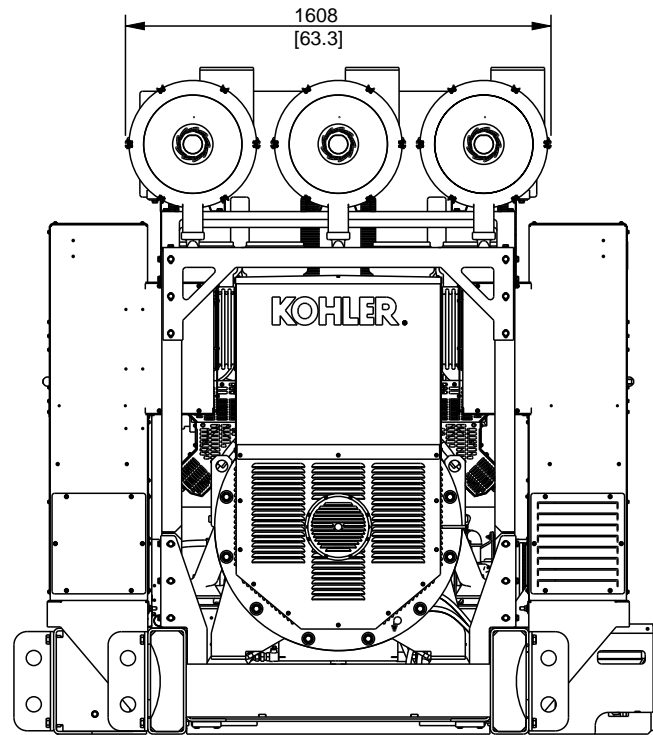
FRONT VIEW WITHOUT RADIATOR

KD1250-A/1350KW 50/60HZ

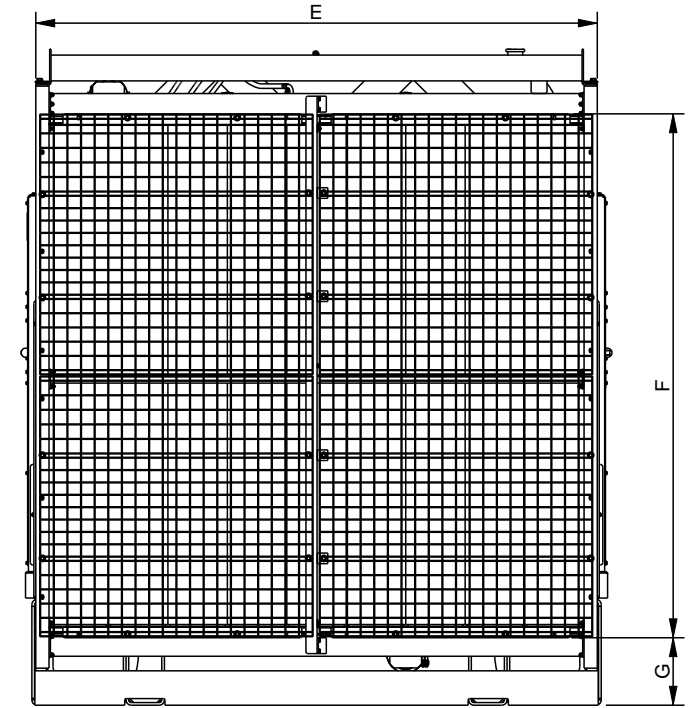
REV	DATE	ON COMPOSITE DWGS, SEE PART NO. FOR REVISION LEVEL	BY	DO NOT SCALE. REFERENCE THE MODEL FOR ALL UNSPECIFIED DIMENSIONS
-	11-22-17	NEW DRAWING [CT179146]	YBY	
				UNLESS OTHERWISE SPECIFIED: ALL DIMENSIONS IN MILLIMETERS GENERAL TOLERANCES: XX ± 0.25 X ± 1.0 X ± 1.5 ANGLES ± 30° MAX.
				<b>KOHLER.</b> KOHLER, WISCONSIN 53044 THIS DRAWING IN DESIGN AND DETAIL IS KOHLER CO. PROPERTY AND MUST NOT BE USED EXCEPT IN CONNECTION WITH KOHLER CO. WORK. ALL RIGHTS OF DESIGN OR INVENTION ARE RESERVED.
				TITLE <b>DIMENSION PRINT, KD1250-A/1350KW</b>
				SCALE 0.07 CAD NO. SHEET 4 of 6
				APPROVALS DRAWN YBY 11-6-17 CHECKED BGP 11-6-17 APPROVED BMK 11-6-17
				ADV-9015 D



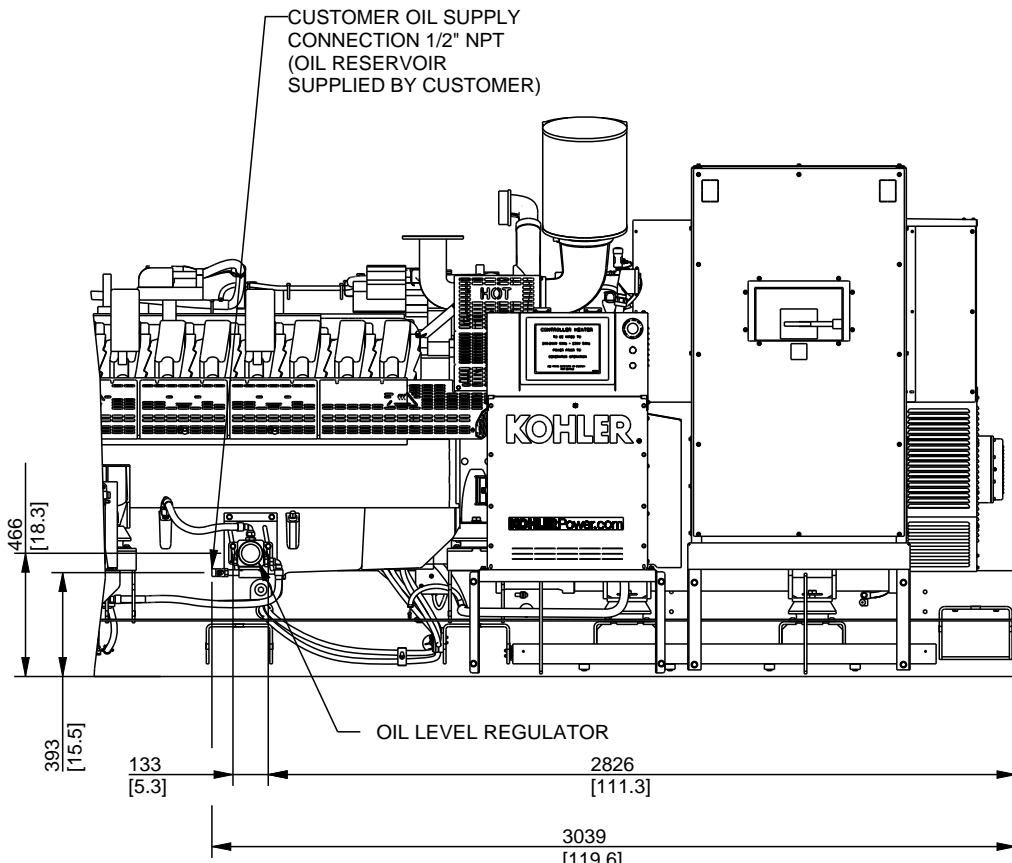
HEAVY DUTY AIR CLEANER  
(LEFT SIDE OF GENSET)



RADIATOR DUCT FLANGE DIMENSIONS			
MODEL	E	F	G
KD1250-A/1350 KW 50 Hz	1898 [74.7]	1785 [70.3]	256 [10.1]
KD1250-A/1350 KW 60 Hz	2120 [83.5]	1990 [78.3]	250 [9.8]

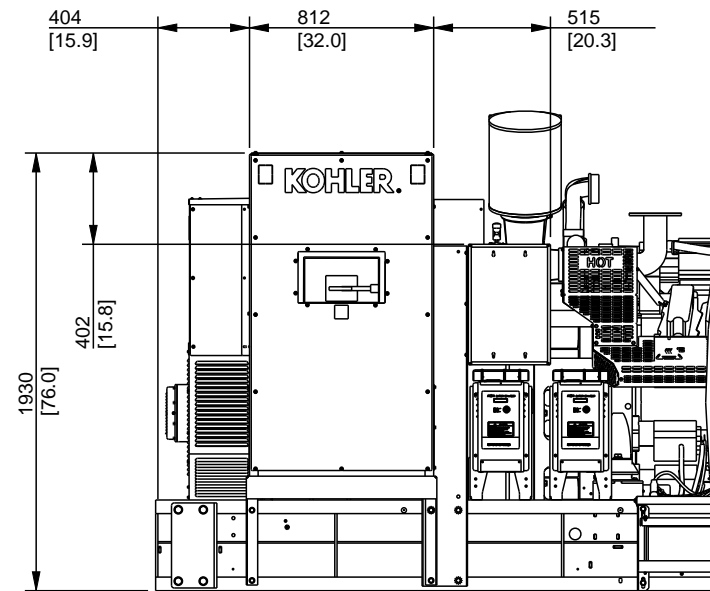


DUCT FLANGE & STONE GUARD



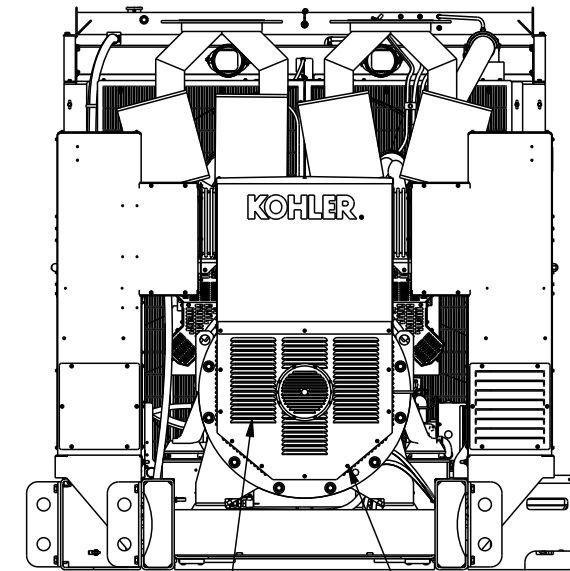
AUTOMATIC OIL REPLENISHMENT SYSTEM  
(LEFT SIDE OF GENSET)

NOTE:  
LEFT SIDE SKID MEMBER HIDDEN TO SHOW CONNECTION FROM  
OIL LEVEL REGULATOR TO OIL SUMP.



BASIC ELECTRICAL PACKAGE (BEP) LOAD CENTER

KD1250-A/1350KW 50/60HZ



ALTERNATOR AIR FILTER & HEATER

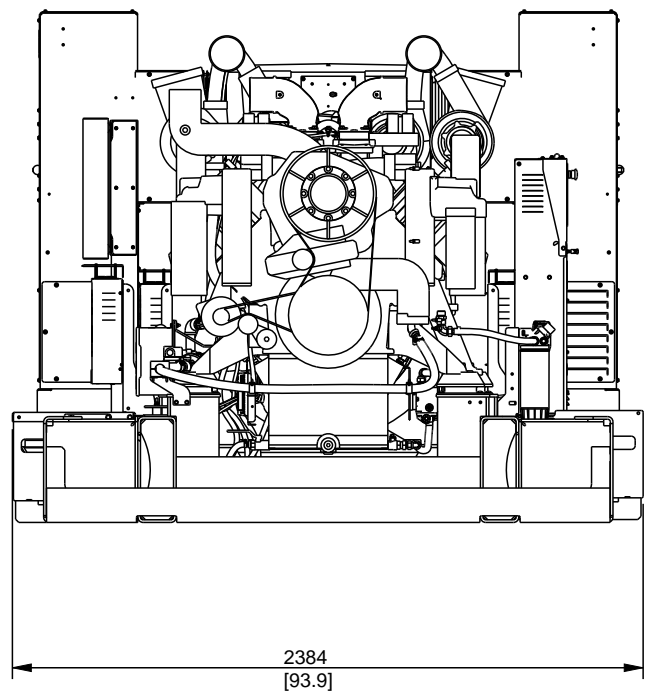
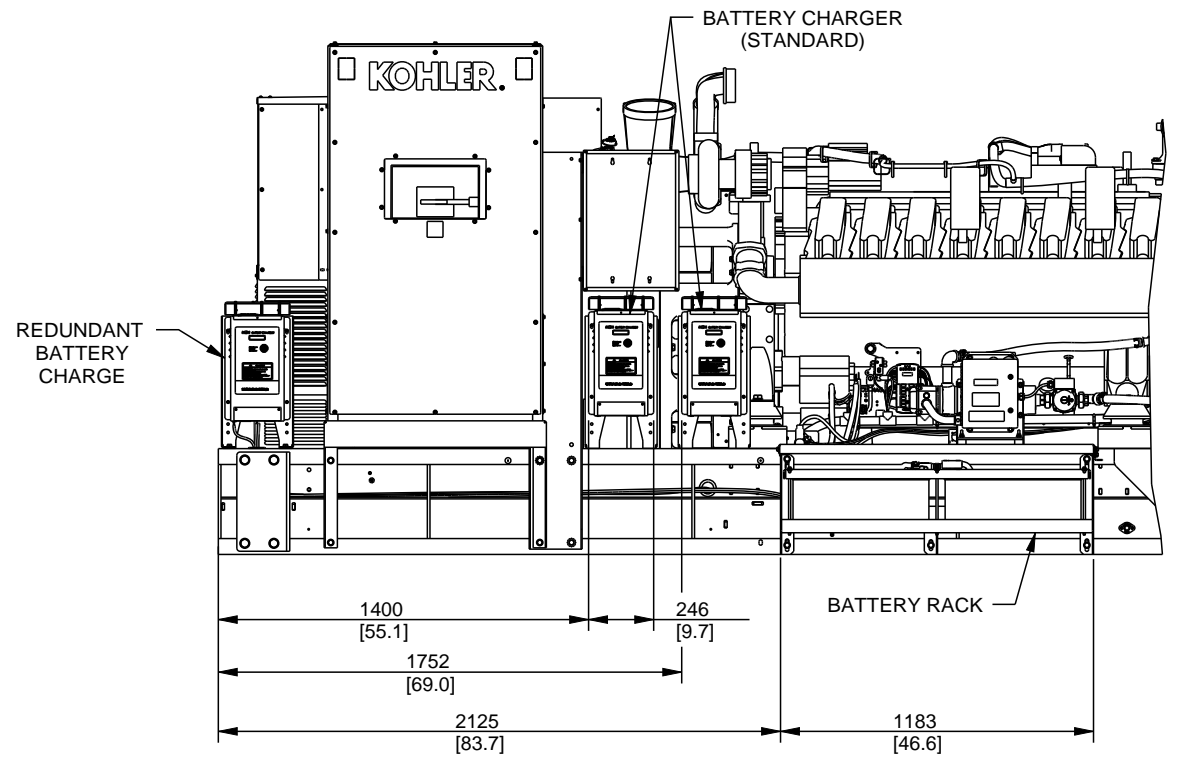
ALTERNATOR AIR FILTER INSTALLED  
INSIDE OF LOUVERED PANELS  
(7% DERATE ON GENERATOR RATING)

ALTERNATOR HEATER THREADS  
INTO REAR CASTING OF ALTERNATOR

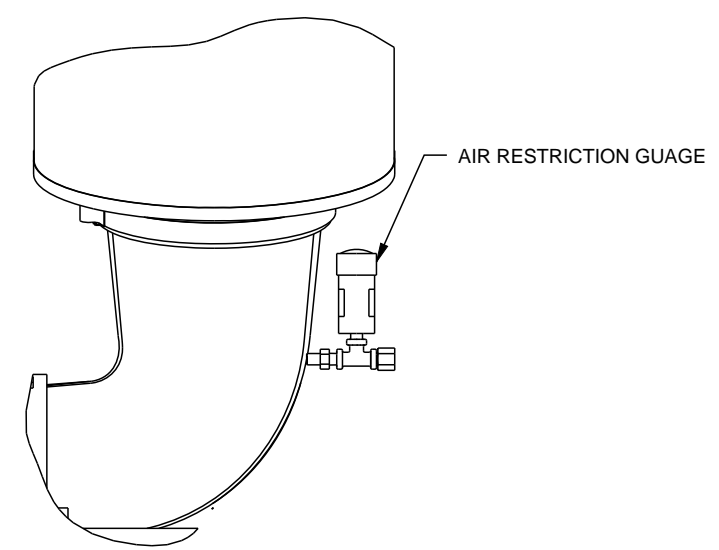
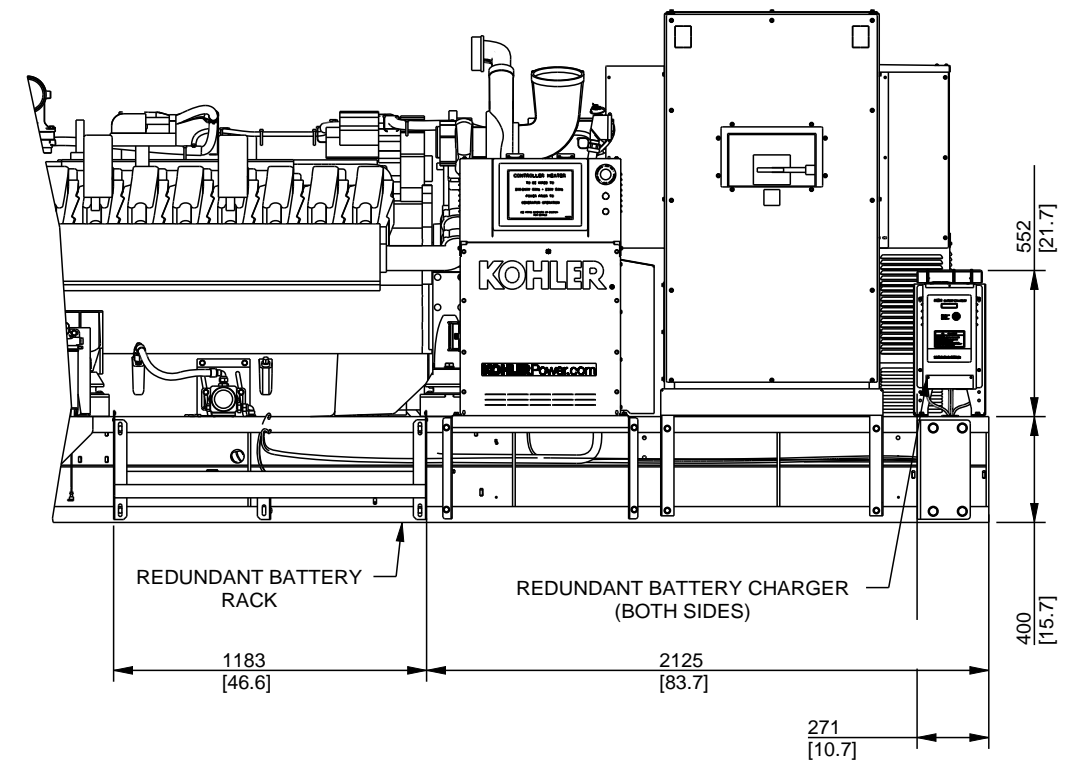
REV	DATE	ON COMPOSITE DWGS, SEE PART NO. FOR REVISION LEVEL	BY	DO NOT SCALE. REFERENCE THE MODEL FOR ALL UNSPECIFIED DIMENSIONS	
-	11-22-17	NEW DRAWING [CT179146]	YBY	UNLESS OTHERWISE SPECIFIED: ALL DIMENSIONS IN MILLIMETERS GENERAL TOLERANCES: XX ± 0.25 X ± 0.1 X ± 1.5 ANGLES ± 0°30' MAX.	
APPROVALS		DATE	<b>KOHLER.</b> KOHLER, WISCONSIN 53044 THIS DRAWING IN DESIGN AND DETAIL IS KOHLER CO. PROPERTY AND MUST NOT BE USED EXCEPT IN CONNECTION WITH KOHLER CO. WORK. ALL RIGHTS OF DESIGN OR INVENTION ARE RESERVED. TITLE <b>DIMENSION PRINT,</b> <b>KD1250-A/1350KW</b> SCALE 0.07 CAD NO. SHEET 5 of 6 DWG NO. <b>ADV-9015</b> D		
DRAWN		YBY			11-6-17
CHECKED		BGP			11-6-17
APPROVED		BMK		11-6-17	

8 7 6 5 4 3 2 1

D  
C  
B  
A



REDUNDANT STARTER, BATTERY RACK & CHARGER  
(FRONT VIEW WITHOUT RADIATOR)



AIR FILTER RESTRICTION INDICATOR  
(LEFT SIDE OF GENSET)

KD1250-A/1350KW 50/60HZ

8 7 6 5 4 3 2 1

REV	DATE	ON COMPOSITE DWGS, SEE PART NO. FOR REVISION LEVEL	BY	DO NOT SCALE. REFERENCE THE MODEL FOR ALL UNSPECIFIED DIMENSIONS
-	11-22-17	NEW DRAWING [CT179146]	YBY	UNLESS OTHERWISE SPECIFIED: ALL DIMENSIONS IN MILLIMETERS GENERAL TOLERANCES: XXX ± 0.25 XX ± 1.0 X ± 1.5 ANGLES ± 0° 30'
				THIRD ANGLE PROJECTION
				APPROVALS
				DATE
				DRAWN YBY 11-6-17
				CHECKED BGP 11-6-17
				APPROVED BMK 11-6-17
				<p><b>KOHLER</b> KOHLER, WISCONSIN 53044 THIS DRAWING IN DESIGN AND DETAIL IS KOHLER CO. PROPERTY AND MUST NOT BE USED EXCEPT IN CONNECTION WITH KOHLER CO. WORK. ALL RIGHTS OF DESIGN OR INVENTION ARE RESERVED.</p> <p>TITLE <b>DIMENSION PRINT, KD1250-A/1350KW</b></p> <p>SCALE 0.07 CAD NO. SHEET 6 of 6</p> <p>DWG NO. ADV-9015</p>

D  
C  
B  
A