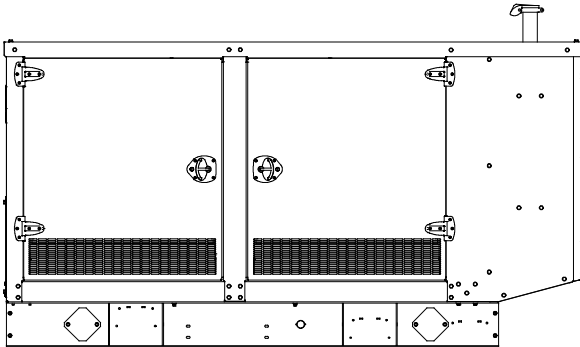
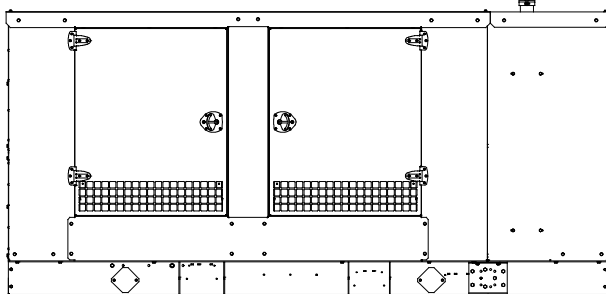


Weather and Sound Enclosures



KG40-KG60



KG80-125

Available Approvals and Listings

- UL 2200 Listing
- CSA Certified
- IBC Seismic Certification
- Hurricane Rated Enclosure - Available on sound aluminum
(Impact rated for Large Missile Level E and Wind load rated per Florida Building Code tested to TAS201-94, TAS202-94 and TAS203-94 standards)

NOTE: Some models may have limited third-party approvals; see your local distributor for details.

Applicable to the following: KG40-125

Weather Enclosure Standard Features

- Internal-mounted critical silencer and flexible exhaust connector.
- Skid-mounted, steel construction with hinged doors.
- Fade-, scratch-, and corrosion-resistant Kohler® Power Armor™ automotive-grade textured finish.
- Enclosure has four access doors which allow for easy maintenance.
- Lockable, flush-mounted door latches.
- Vertical air outlet discharge to redirect air and reduce noise.
- Steel weather enclosure is analyzed to 150 mph (241 kph) wind load rating.

Sound Enclosure Standard Features

- Includes all of the weather enclosure features with the addition of acoustic insulation material.
- Skid-mounted, steel or aluminum construction with hinged doors. Aluminum enclosures are recommended for high humidity and/or high salt/coastal regions.
- Acoustic insulation that meets UL 94 HF1 flammability classification and repels moisture absorption.
- Sound attenuated enclosure that uses up to 51 mm (2 in.) of acoustic insulation, acoustic-lined air inlet hoods, and acoustic-lined air discharge hood.
- Aluminum sound enclosure is certified to 186 mph (299 kph) wind load rating.
- Steel sound enclosure is analyzed to 150 mph (241 kph) wind load rating.

Weather and Sound Enclosure Specifications

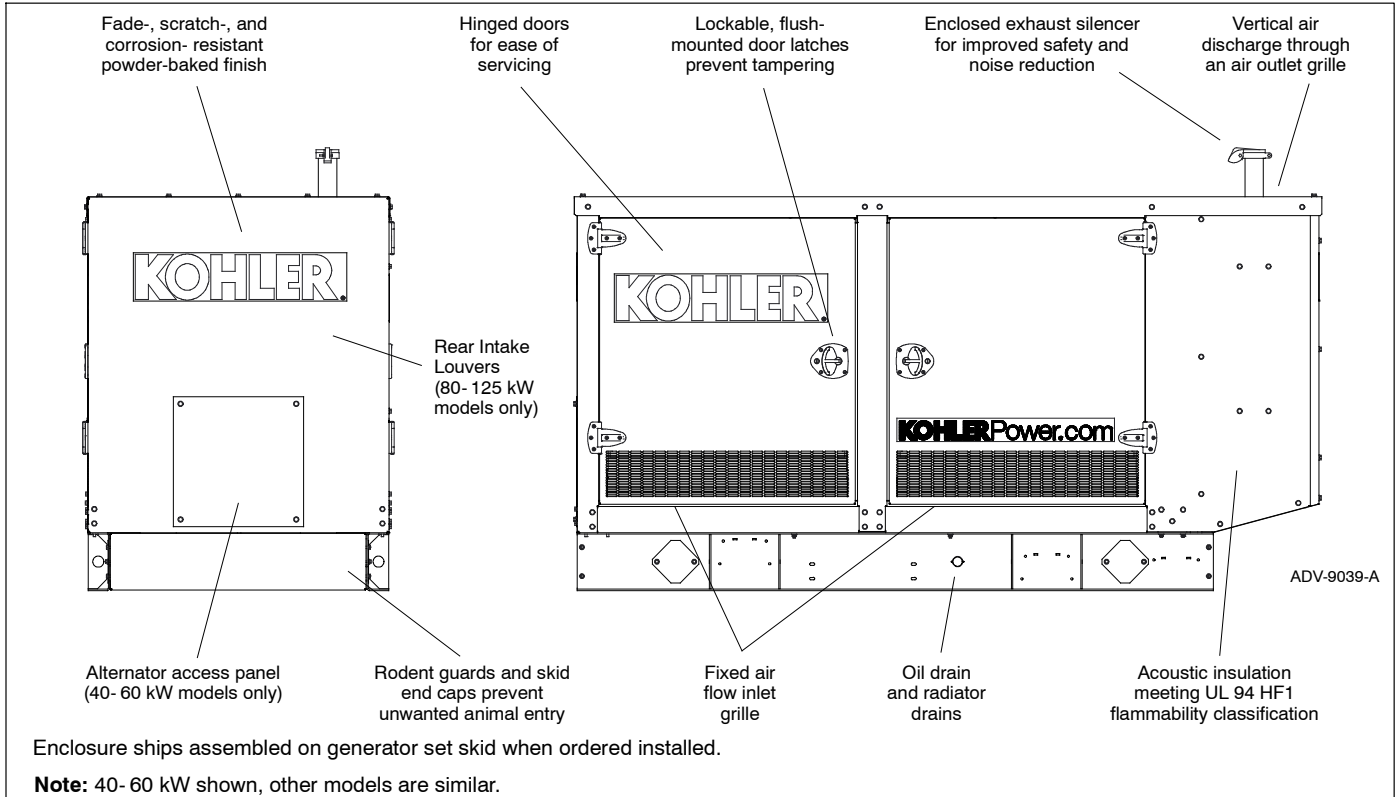
| Model | Max. Dimensions, mm (in.) | | | Weight, kg (lb.) * | | | Sound Pressure Level at 60 Hz with Full Load, Weather/Sound, dB(A) † |
|-------|---------------------------|-------------|-------------|-------------------------|-----------------------|--------------------------|--|
| | Length | Width | Height | Steel Weather Enclosure | Steel Sound Enclosure | Aluminum Sound Enclosure | |
| KG40 | 2585 (101.8) | 1078 (42.4) | 1531 (60.3) | 1046 (2307) | 1051 (2318) | 959 (2115) | 79/64 |
| KG45 | | | | 1101 (2427) | 1106 (2438) | 1014 (2235) | 79/65 |
| KG50 | | | | | | | 79/67 |
| KG60 | | | | | | | 79/68 |
| KG80 | 3525 (138.8) | 1154 (45.4) | 1709 (67.3) | 1417 (3123) | 1427 (3146) | 1337 (2948) | 84/69 |
| KG100 | | | 1713 (67.4) | 1605 (3539) | 1616 (3562) | 1515 (3340) | 81/69 |
| KG125 | | | | 1605 (3539) | 1616 (3562) | 1515 (3340) | 81/71 |

Note: Data in table is for reference only, refer to the respective ADV drawings for details.

* Max. weight includes the generator set (wet) with largest alternator option, enclosure, and silencer.

† Log average sound pressure level of 8 measured positions around the perimeter of the unit at a distance of 7 m (23 ft). Refer to TIB-114 for details.

Weather and Sound Enclosure



Enclosure Features

- Available in steel (14 gauge) formed panel, solid construction. Preassembled package offering corrosion resistant, dent resilient structure mounting directly to skid.
- Power Armor™ automotive-grade finish resulting in advanced corrosion and abrasion protection as well as enhanced edge coverage and color retention.
- Internal critical exhaust silencer offering maximum component life and operator safety.

NOTE: Installing an additional length of exhaust tail pipe may increase backpressure levels. Please refer to the generator set spec sheet for the maximum backpressure value.

- Interchangeable modular panel construction. Allows complete serviceability or replacement without compromising enclosure design.
- Cooling/combustion air intake with a horizontal air inlet. Sized for maximum cooling airflow.
- Service access. Multi-personnel doors for easy access to generator set control and servicing of the oil fill and battery.
- Cooling air discharge. Weather protective design featuring a vertical air discharge outlet grille. Redirects cooling air up and above enclosures to reduce noise ambient.
- Enclosed critical silencer and three-way catalyst standard on KG100 and KG125 (optional on KG80).

Additional Sound Enclosure Features

- Available in steel (14 gauge) or aluminum 3.2 mm (0.125 in.) formed panel, solid construction.
- Sound-attenuating design. Mechanically restrained acoustic insulation UL 94 HF1 listed for flame resistance.
- Cooling air discharge. The sound enclosures include acoustic insulation with urethane film.

DISTRIBUTED BY: