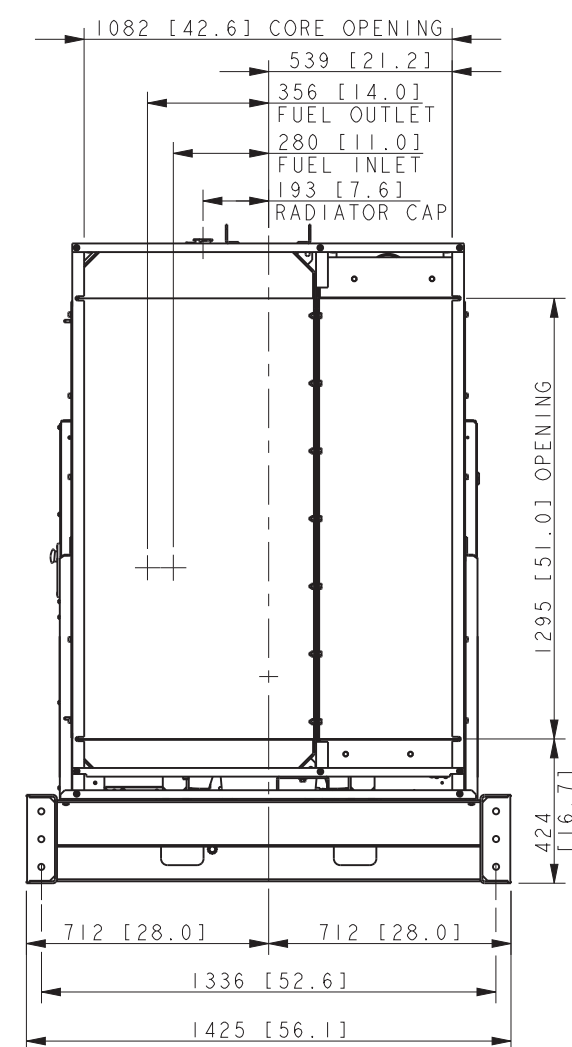
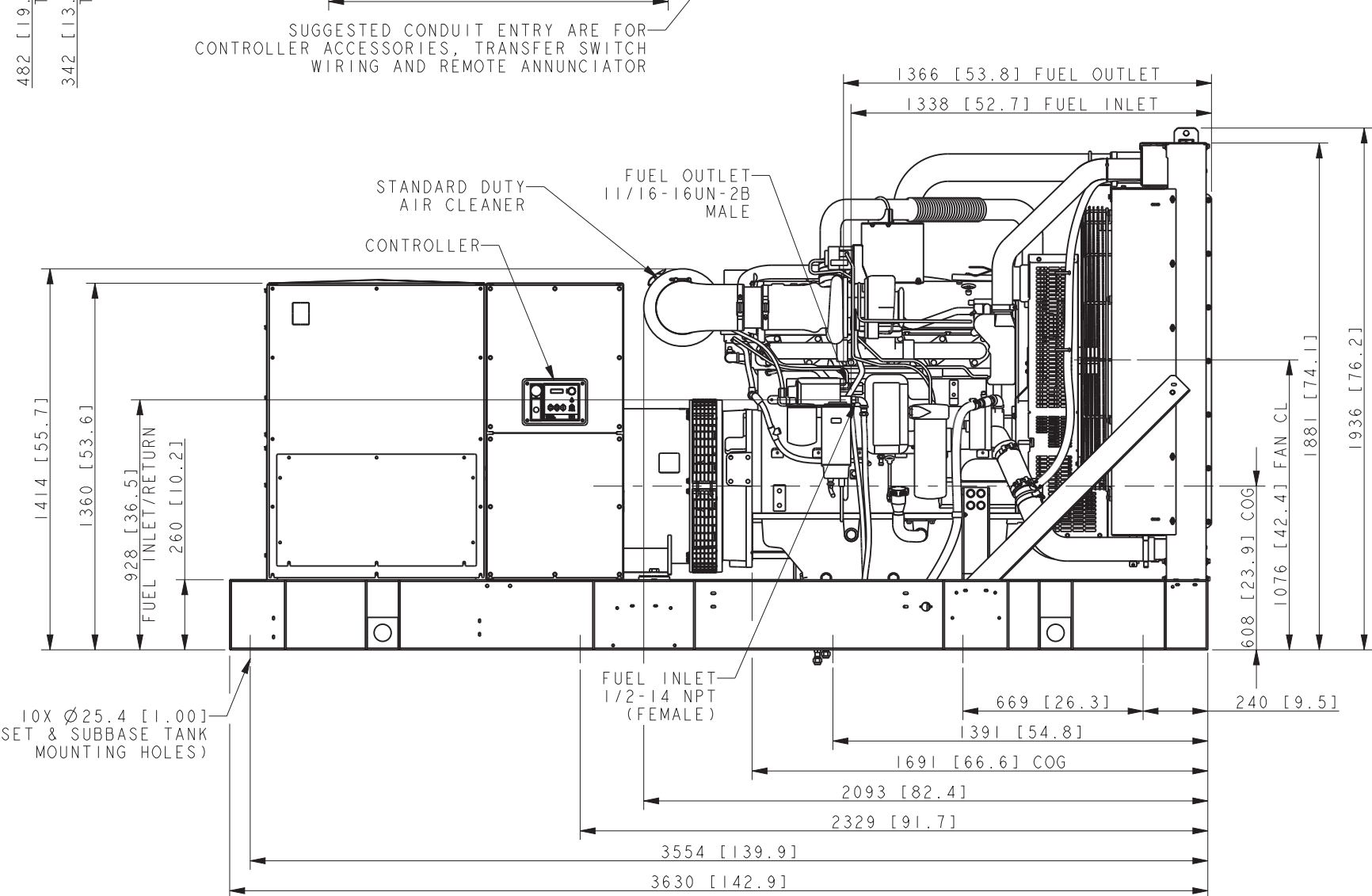


INSTALLATION NOTE
 IF SUBBASE FUEL TANK AND/OR ENCLOSURE IS USED. REFER TO SUBBASE FUEL TANK/ENCLOSURE ADV TO DETERMINE MOUNTING LOCATION.

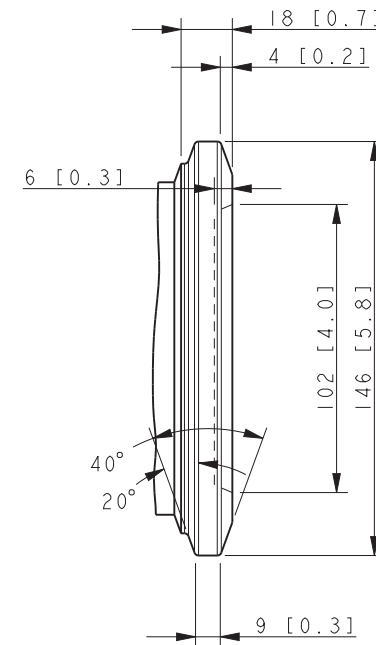
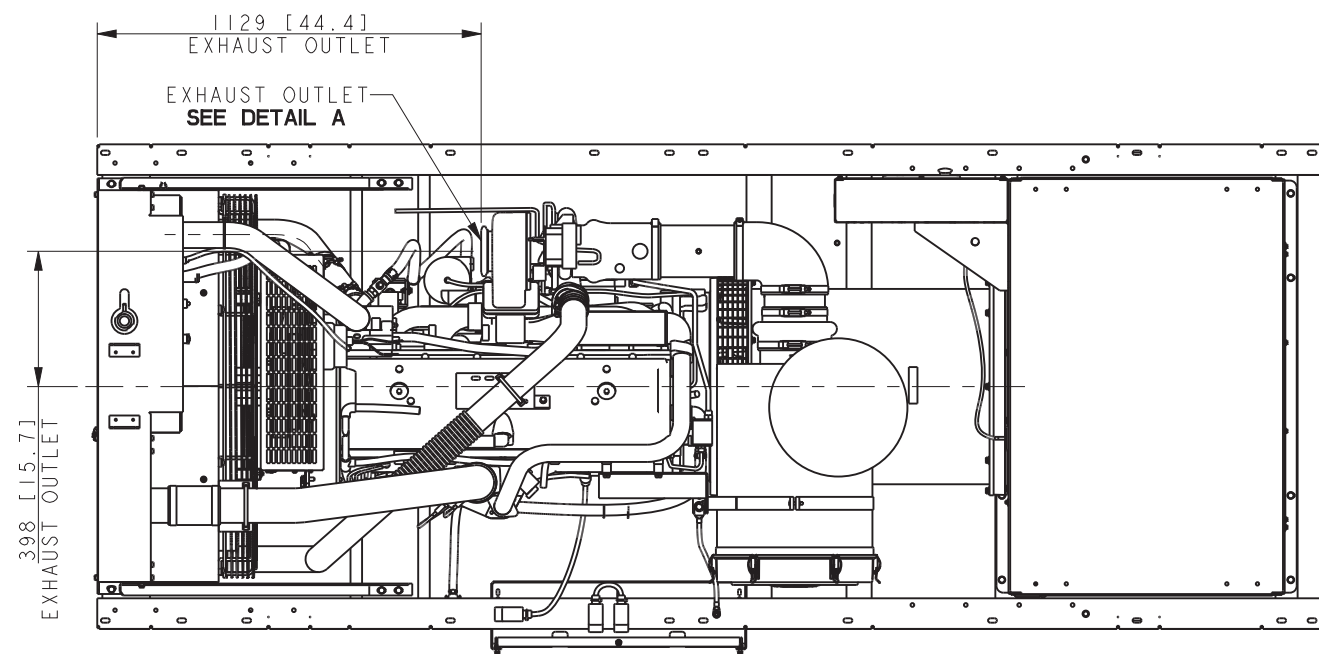


MODEL	ALT.	GENSET WEIGHT (WET)
350	4M4019	3541 Kg [7790 LBS]
350/400	4M4021	3552 Kg [7815 LBS]
500	5M4024	3711 Kg [8180 LBS]
350/400/500	5M4027	3768 Kg [8290 LBS]
400/500	5M4028	3864 Kg [8500 LBS]
350/400	4M4266	3552 Kg [7815 LBS]
500	5M4270	3760 Kg [8290 LBS]
350/400/500	5M4272	3883 Kg [8560 LBS]

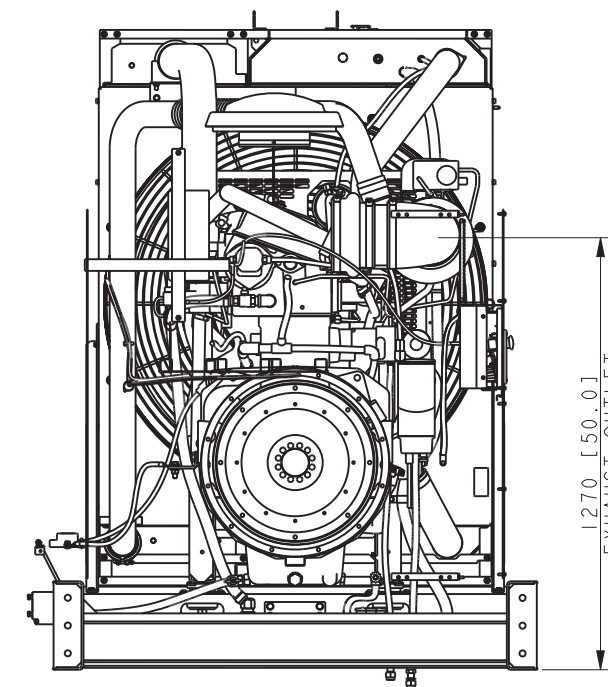
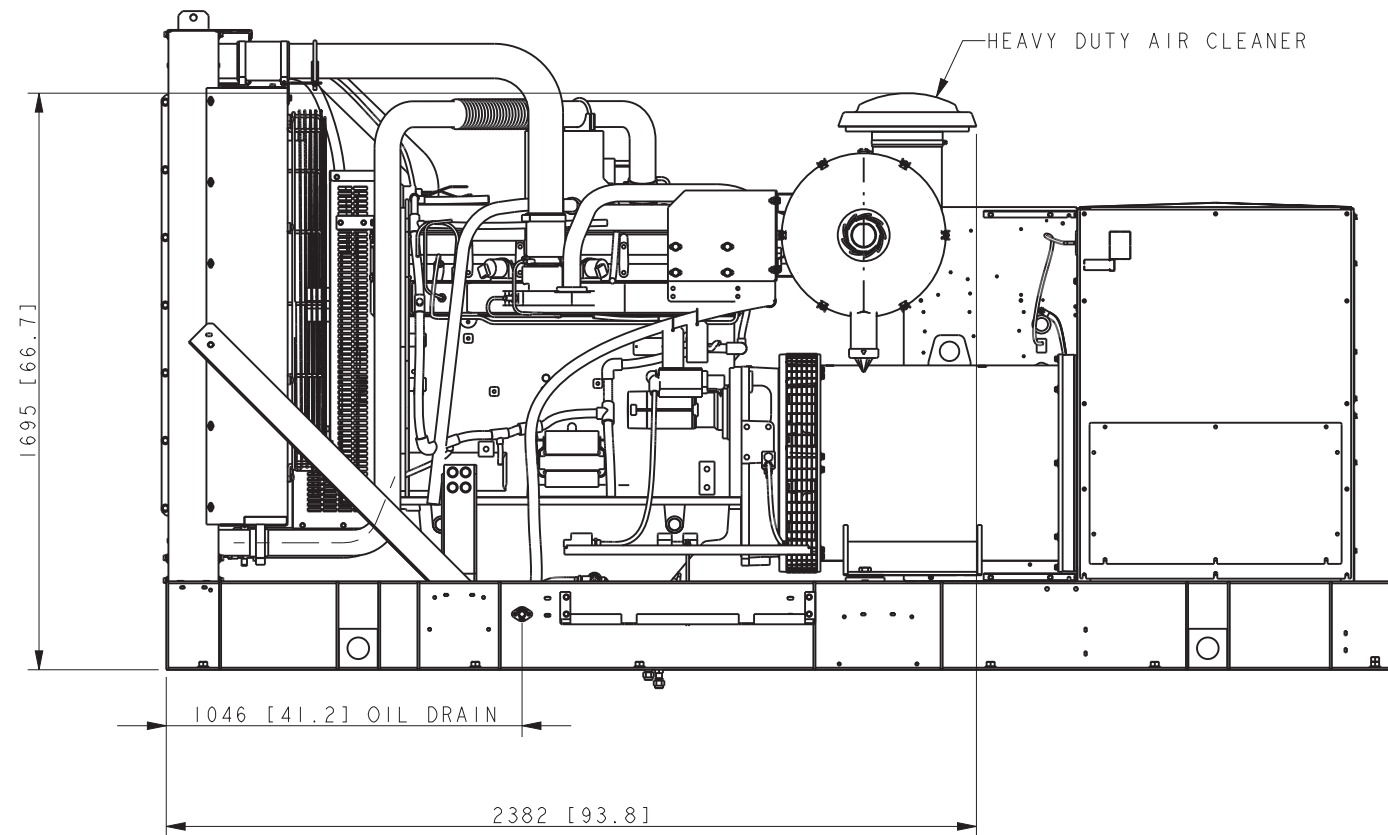
NOTES:
 1) DIMENSIONS IN [] ARE ENGLISH EQUIVALENTS.
 2) IF AN ENCLOSURE IS USED THE FUEL LINE MUST BE STUBBED UP FROM DIRECTLY UNDER THE UNIT. REFER TO ENCLOSURE ADV.
 3) IF IBC CERTIFICATION IS REQUIRED SEE SEISMIC ADV FOR INSTALLATION INSTRUCTIONS.

350 MODEL 60HZ
 4M4019, 4M4021, 5M4027, 4M4266, 5M4272
 400 MODEL 60HZ
 4M4021, 5M4027, 5M4028, 4M4266, 5M4272
 500 MODEL 60HZ
 5M4024, 5M4027, 5M4028, 5M4270, 5M4272
 RECONN. & 600V ALTERNATORS
 JOHN DEERE 6135HF, TIER III

REV	DATE	ON COMPOSITE DWGS. SEE PART NO. FOR REVISION LEVEL	BY	DO NOT SCALE. REFERENCE THE MODEL FOR ALL UNSPECIFIED DIMENSIONS
-	05FEB2020	NEW DRAWING [CT201734]	YBY	UNLESS OTHERWISE SPECIFIED: ALL DIMENSIONS IN MILLIMETERS GENERAL TOLERANCES: N/A
				KOHLER KOHLER, WISCONSIN 53044 THIS DRAWING IN DESIGN AND DETAIL IS KOHLER CO. PROPERTY AND MUST NOT BE USED EXCEPT IN CONNECTION WITH KOHLER CO. WORK. ALL RIGHTS OF DESIGN OR INVENTION ARE RESERVED.
				TITLE DIMENSION PRINT, 350-500 REOZJC/D
APPROVALS		DATE		SCALE NA CAD NO. SHEET 1 of 2
DRAWN YBY		05FEB2020		DWG NO. ADV-9193
CHECKED KJB		05FEB2020		
APPROVED DMS		05FEB2020		



EXHAUST OUTLET
DETAIL A



DIMENSIONS IN [] ARE ENGLISH EQUIVALENTS.

REV	DATE	ON COMPOSITE DWGS. SEE PART NO. FOR REVISION LEVEL	BY	DO NOT SCALE. REFERENCE THE MODEL FOR ALL UNSPECIFIED DIMENSIONS
-	05FEB2020	NEW DRAWING [CT201734]	YBY	UNLESS OTHERWISE SPECIFIED: ALL DIMENSIONS IN MILLIMETERS GENERAL TOLERANCES: N/A
				KOHLER. KOHLER, WISCONSIN 53044 THIS DRAWING IN DESIGN AND DETAIL IS KOHLER CO. PROPERTY AND MUST NOT BE USED EXCEPT IN CONNECTION WITH KOHLER CO. WORK. ALL RIGHTS OF DESIGN OR INVENTION ARE RESERVED.
				TITLE DIMENSION PRINT, 350-500 REOZJC/D
				SCALE N/A CAD NO. SHEET 2 of 2
				DWG NO. ADV-9193 D

350 MODEL 60HZ
4M4019, 4M4021, 5M4027, 4M4266, 5M4272
400 MODEL 60HZ
4M4021, 5M4027, 5M4028, 4M4266, 5M4272
500 MODEL 60HZ
5M4024, 5M4027, 5M4028, 5M4270, 5M4272
RECONN. & 600V ALTERNATORS
JOHN DEERE 6135HF, TIER III